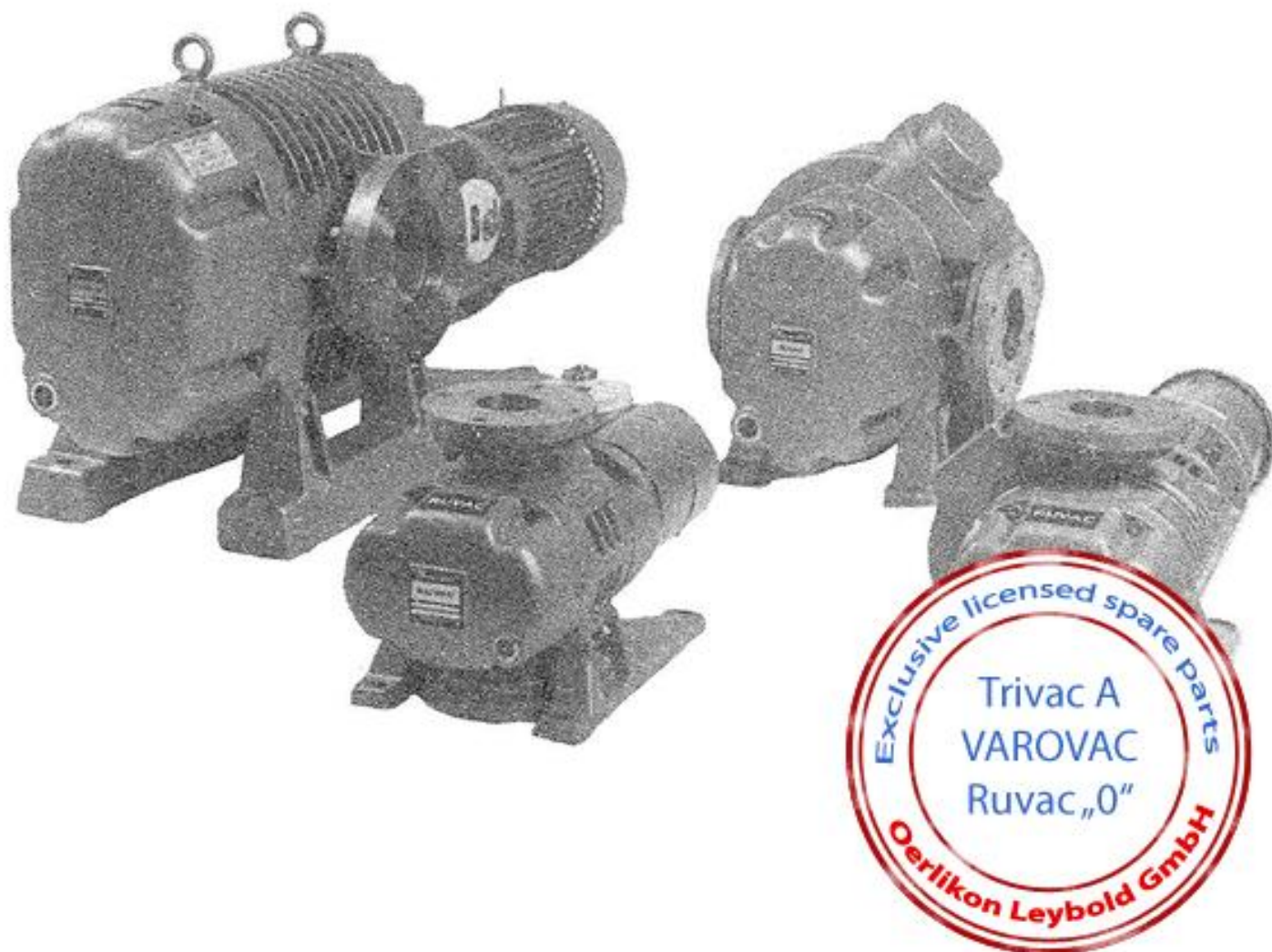


Spare parts for



Leybold Ruvac WSU1000

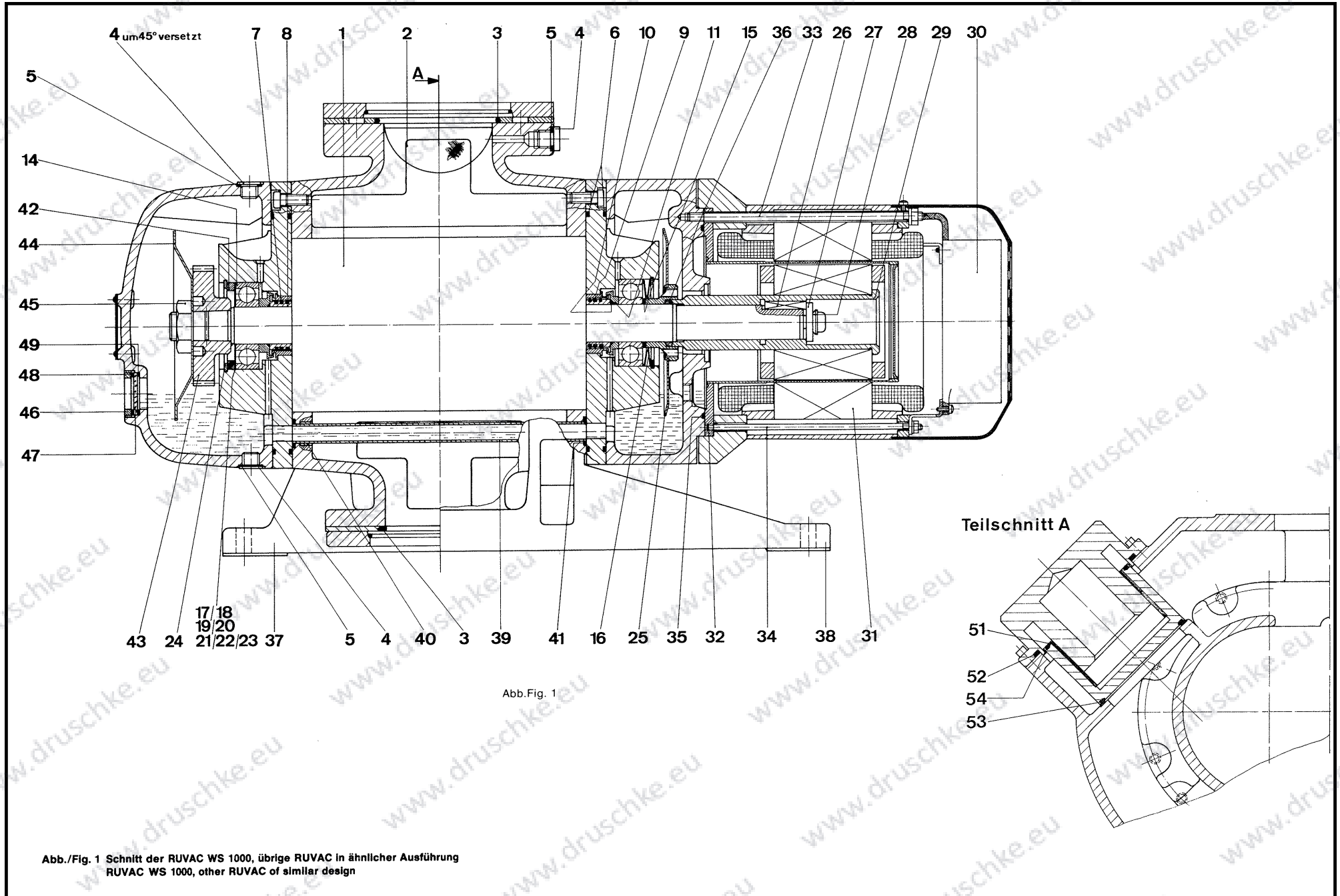
Example image - appearance can vary
Beispielbild - Aussehen kann variieren

www.druschke.eu

Spare parts

Item	Description	Qty.	Unit	Order number	Package 1	Package 2	Note
1	Pair of impellers	1	Stk	62704113			
2	Dirt trap	1	Stk	E41070117			
3	O-ring	2	Stk	23970511	✓	✓	
4	Drain plug	4	Stk	20127105	✓	✓	
5	Flat gasket	4	Stk	23955165	✓	✓	
6	O-ring	4	Stk	E23970433	✓	✓	
7	Shaft seal housing	4	Stk	33188121			
8	Piston ring holder	4	Stk	43131290			
9	Piston ring	16	Stk	23153217		✓	
10	O-ring	4	Stk	23970435	✓	✓	
11	Splash ring	4	Stk	23152109			
14	Ball bearing	4	Stk	20013610		✓	
15	Distance ring	1	Stk	62704499			
16	Plate spring washer	16	Stk	22182210			
17-23	Gauge disc set	1	Stk	62704136		✓	
24	Retaining ring	4	Stk	23104149			
25	Splash plate	1	Stk	62704103			
26	Key	1	Stk	62704425			
27	Conical seat	1	Stk	22122304			
28	Ball washer	1	Stk	22122104			
29	Rotor	1	Stk	62704120			
30	Fan compl.	1	Stk	38091123			
31	Canned. motor	1	Stk	62704106			
32	Tube of canned motor	1	Stk	62704105			
33	Threaded stud	4	Stk	62704427			
34	Threaded stud	2	Stk	62704428			
35	O-ring	1	Stk	23970303	✓	✓	
36	Gasket ring	1	Stk	62704426	✓	✓	
37	Foot, left	1	Stk	62704309			
38	Foot, right	1	Stk	62704310			
39	Tube	1	Stk	E20013147			
40	Tube piece	2	Stk	ES62704412			
41	O-ring	4	Stk	23970154	✓	✓	
42	Distance ring	2	Stk	62704408			
43	Pair of gearwheels	1	Stk	62704114			
44	Splash plate	1	Stk	20013137			
45	Nut	1	Stk	20013135			
45a	Nut	1	Stk	20013136			
46	Threaded ring	1	Stk	20013294			
47	Sight glass	1	Stk	22680140			
48	Reflector	1	Stk	20013180			
49	O-ring	1	Stk	23970435	✓	✓	
51	Sleeve DU	1	Stk	E27027212			
52	O-ring	1	Stk	23970142	✓	✓	

Spare parts



We reserve the right of alteration of technical data. Illustrations are not binding.

Spare Parts – Made in Germany – produced by Druschke GmbH