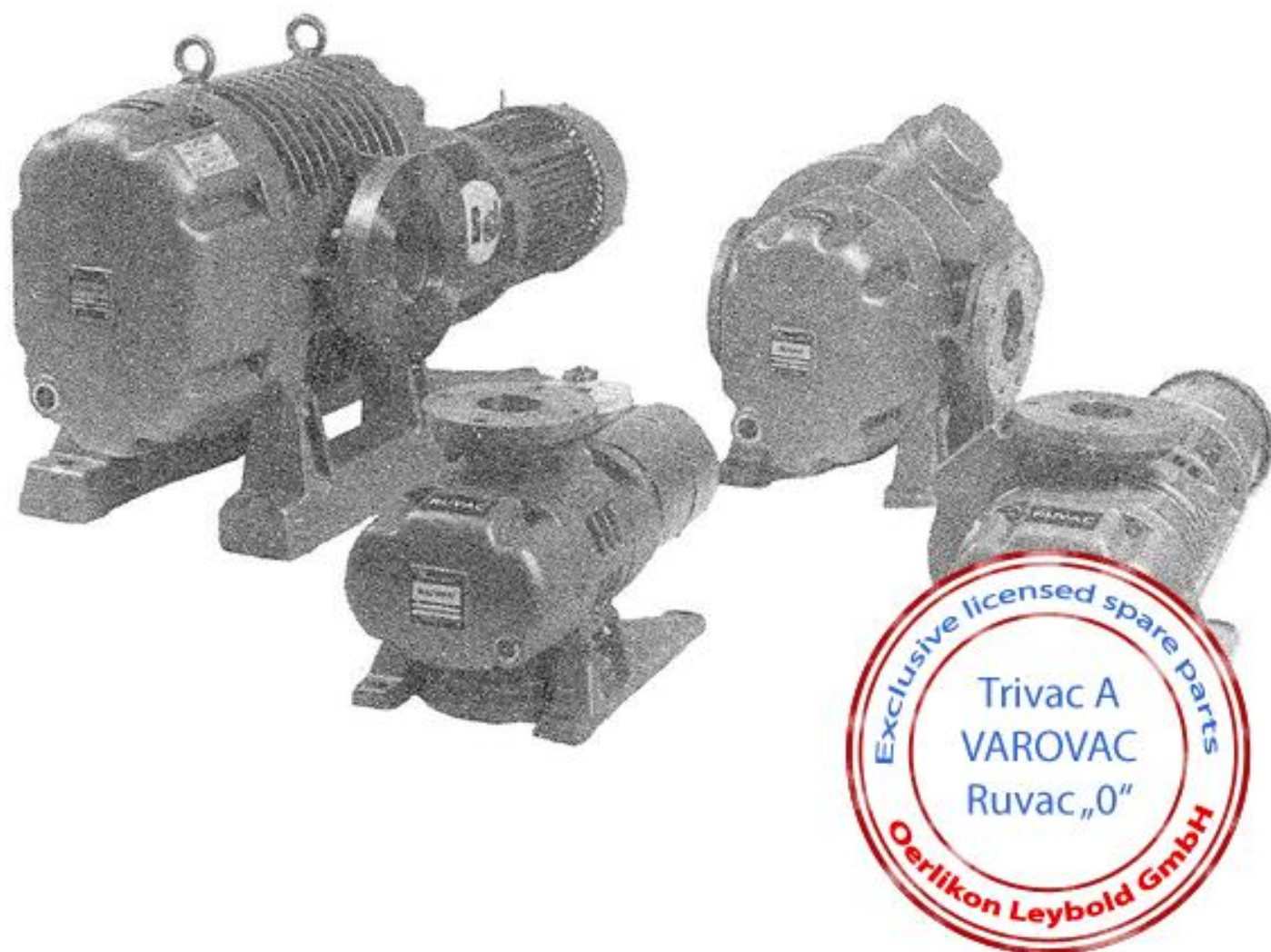


Spare parts for



Leybold Ruvac WSU2000

Example image - appearance can vary
Beispielbild - Aussehen kann variieren

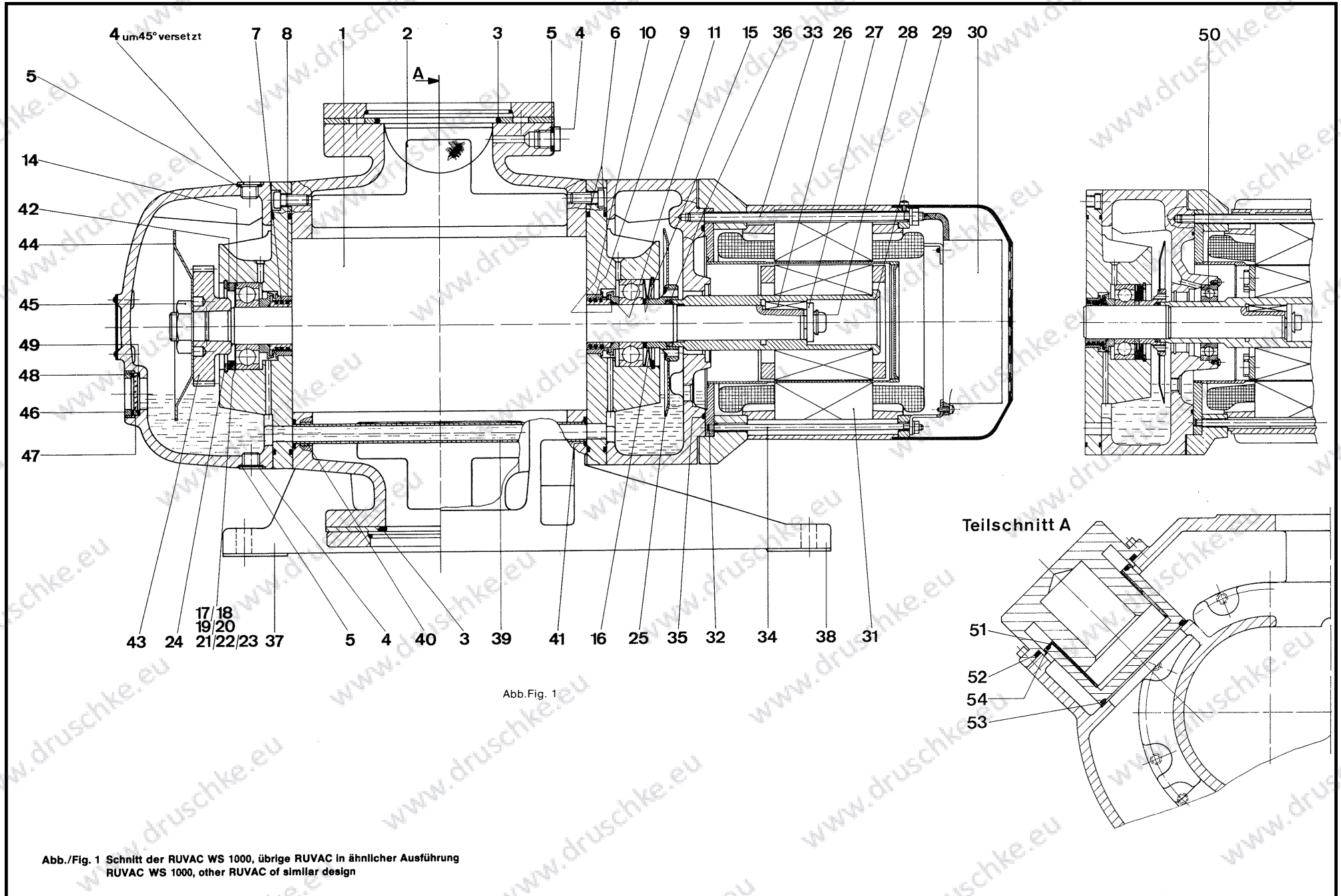
www.druschke.eu

Spare parts

Item	Description	Qty.	Unit	Order number	Package 1	Package 2	Note
1	Pair of impellers	1	Stk	62705113			
2	Dirt trap	1	Stk	E63408344			
3	O-ring	2	Stk	E23970512	✓	✓	
4	Drain plug	4	Stk	20127105	✓	✓	
5	Flat gasket	4	Stk	23955165	✓	✓	
6	O-ring	4	Stk	23970124	✓	✓	
7	Shaft seal housing	4	Stk	33188119			
8	Shaft seal holder	4	Stk	43131292			
9	Piston ring	16	Stk	23153216		✓	
10	O-ring	4	Stk	23970416	✓	✓	
11	Splash ring	4	Stk	23152107			
14	Ball bearing	4	Stk	26101176		✓	
15	Distance ring	1	Stk	62705499			
16	Plate spring washer	16	Stk	22182209			
17-23	Gauge disc set	1	Stk	62705137		✓	
24	Circlip	4	Stk	23104150			
25	Splash plate	1	Stk	62705103			
26	Key	1	Stk	62705425			
27	Conical seat	1	Stk	62705448			
28	Ball washer	1	Stk	22122104			
29	Rotor	1	Stk	62705104			
30	Fan	1	Stk	38091122			
31	Canned motor	1	Stk	62705106			
32	Tube of canned motor	1	Stk	62705105			
33	Threaded stud	4	Stk	62705427			
34	Threaded stud	2	Stk	62705428			
35	O-ring	1	Stk	23970202	✓	✓	
36	Gasket ring	1	Stk	62705426	✓	✓	
37	Foot, left	1	Stk	62705309			
38	Foot, right	1	Stk	62705310			
39	Tube	1	Stk	20013146			
40	Tube piece	2	Stk	ES62704412			
41	O-ring	4	Stk	23970154	✓	✓	
42	Distance ring	2	Stk	62705408			
43	Pair of gearwheels	1	Stk	20013155			Variante Ø151x50
43	Pair of gearwheels	1	Stk	62705114			Variante Ø141x40
44	Splash plate	1	Stk	20013139			
45	Nut	2	Stk	20013140			
46	Threaded ring	1	Stk	20013294			
47	Sight glass	1	Stk	22680140			
48	Reflector	1	Stk	20013180			
49	O-ring	1	Stk	23970435	✓	✓	
50	Ball bearing	1	Stk	E26101112		✓	
51	Sleeve DU	1	Stk	E27027211			

We reserve the right of alteration of technical data. Illustrations are not binding.

Spare parts



We reserve the right of alteration of technical data. Illustrations are not binding.

Spare Parts – Made in Germany – produced by Druschke GmbH