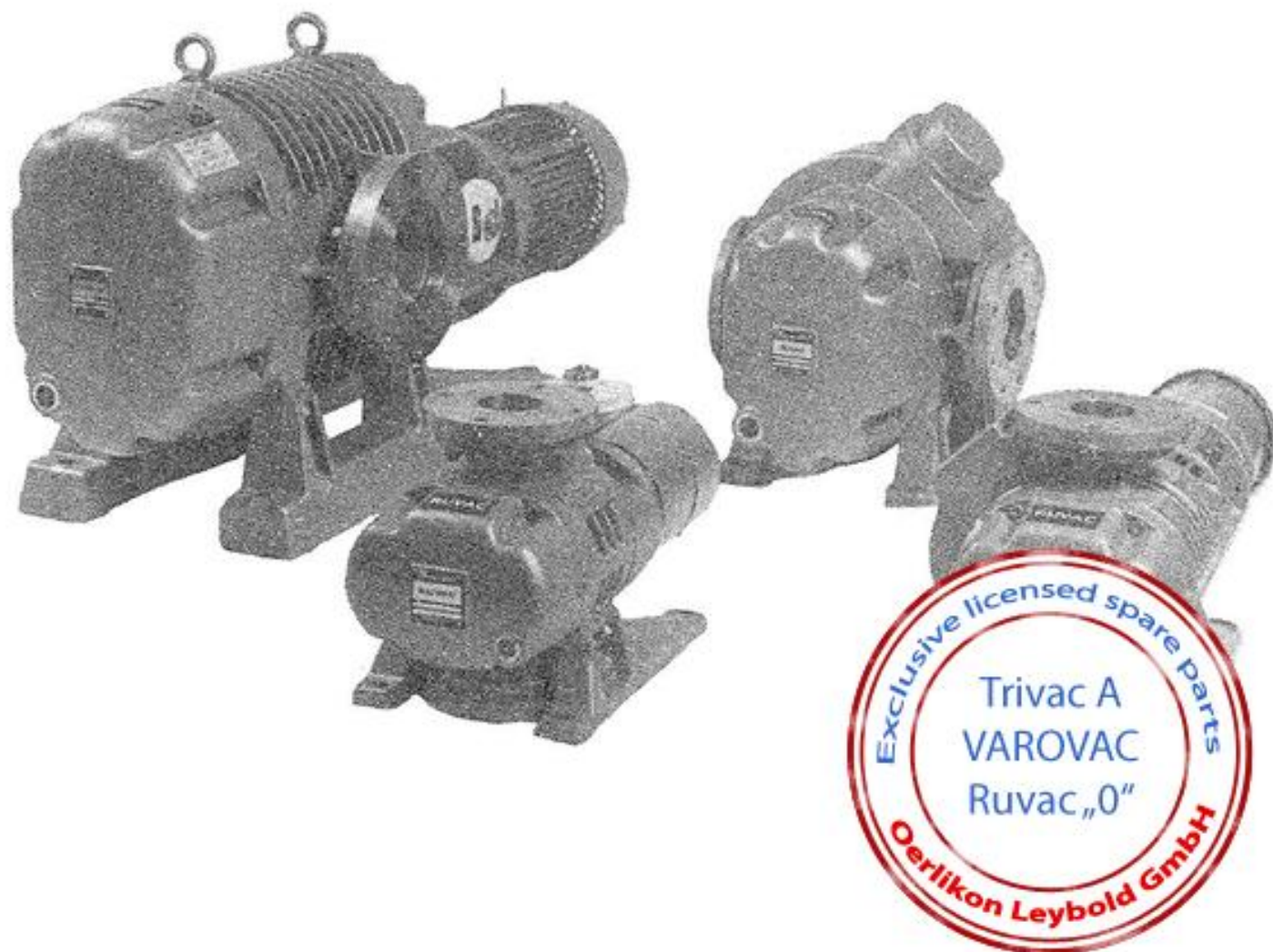


Spare parts for



Leybold Ruvac WSU250

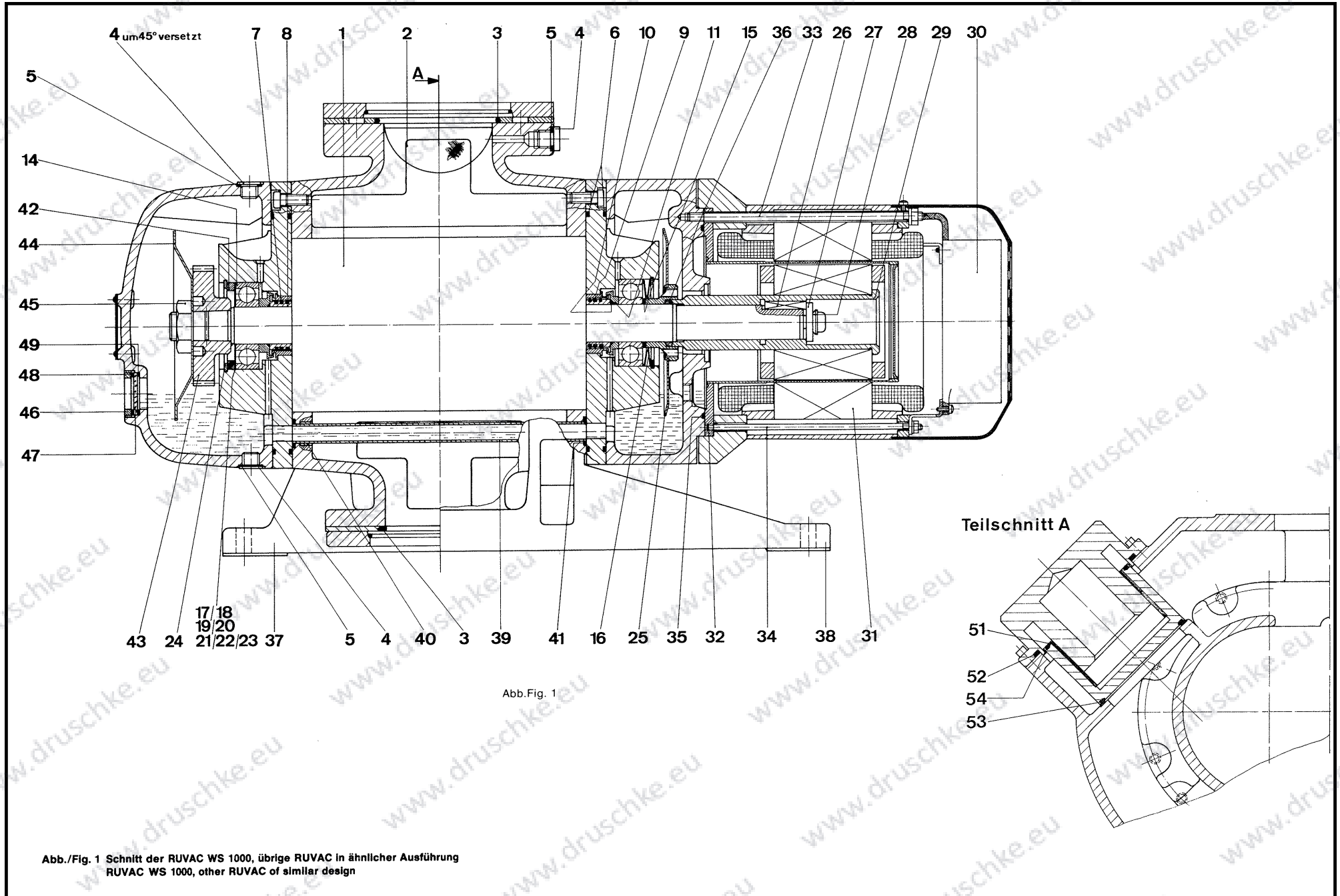
Example image - appearance can vary
Beispielbild - Aussehen kann variieren

www.druschke.eu

Spare parts

Item	Description	Qty.	Unit	Order number	Package 1	Package 2	Note
1	Pair of impellers	1	Stk	62702113			
2	Dirt trap	1	Stk	E41070116			
3	O-ring	2	Stk	23970510	✓	✓	
4	Drain plug	4	Stk	20127105	✓	✓	
5	Flat gasket	4	Stk	23955165	✓	✓	
6	O-ring	4	Stk	23970424	✓	✓	
7	Shaft seal housing	4	Stk	33188120			
8	Piston ring holder	4	Stk	43131291			
9	Piston ring	12	Stk	23179256		✓	
10	O-ring	4	Stk	23970191	✓	✓	
11	Splash ring	4	Stk	23152108			
14	Ball bearing	4	Stk	26101171		✓	
16	Plate spring washer	4	Stk	22182212			
17-23	Gauge disc set	1	Stk	62700134		✓	
24	Circlip	4	Stk	23104140			
25	Splash plate	1	Stk	22102213			
26	Key	1	Stk	62702425			
27	Conical seat	1	Stk	22122303			
28	Ball washer	1	Stk	22122103			
29	Rotor	1	Stk	62702120			
30	Fan	1	Stk	38093103			
31	Canned motor	1	Stk	62701106			
32	Tube of canned motor	1	Stk	62702105			
33	Threaded stud	4	Stk	62702427			
34	Threaded stud	2	Stk	62702428			
35	O-ring	1	Stk	E23970411	✓	✓	
36	Gasket ring	1	Stk	62702426	✓	✓	
37	Foot left	1	Stk	62702309			
38	Foot right	1	Stk	62702310			
39	Tube	1	Stk	62702411			
40	Tube piece	2	Stk	62702412			
41	O-ring	4	Stk	23970111	✓	✓	
42	Distance ring	2	Stk	23192161			
43	Pair of gearwheels	1	Stk	62702114			
44	Splash plate	1	Stk	62702409			
45	Nut	2	Stk	62700445			
46	Lock ring	1	Stk	23154207			
47	Sight glass	1	Stk	22680139			
48	Washer	1	Stk	23375135	✓	✓	
49	Flat gasket	1	Stk	23955141	✓	✓	
51	Sleeve DU	1	Stk	E27027205			
52	O-ring	1	Stk	23970302	✓	✓	
53	O-ring	1	Stk	23970129	✓	✓	

Spare parts



We reserve the right of alteration of technical data. Illustrations are not binding.

Spare Parts – Made in Germany – produced by Druschke GmbH