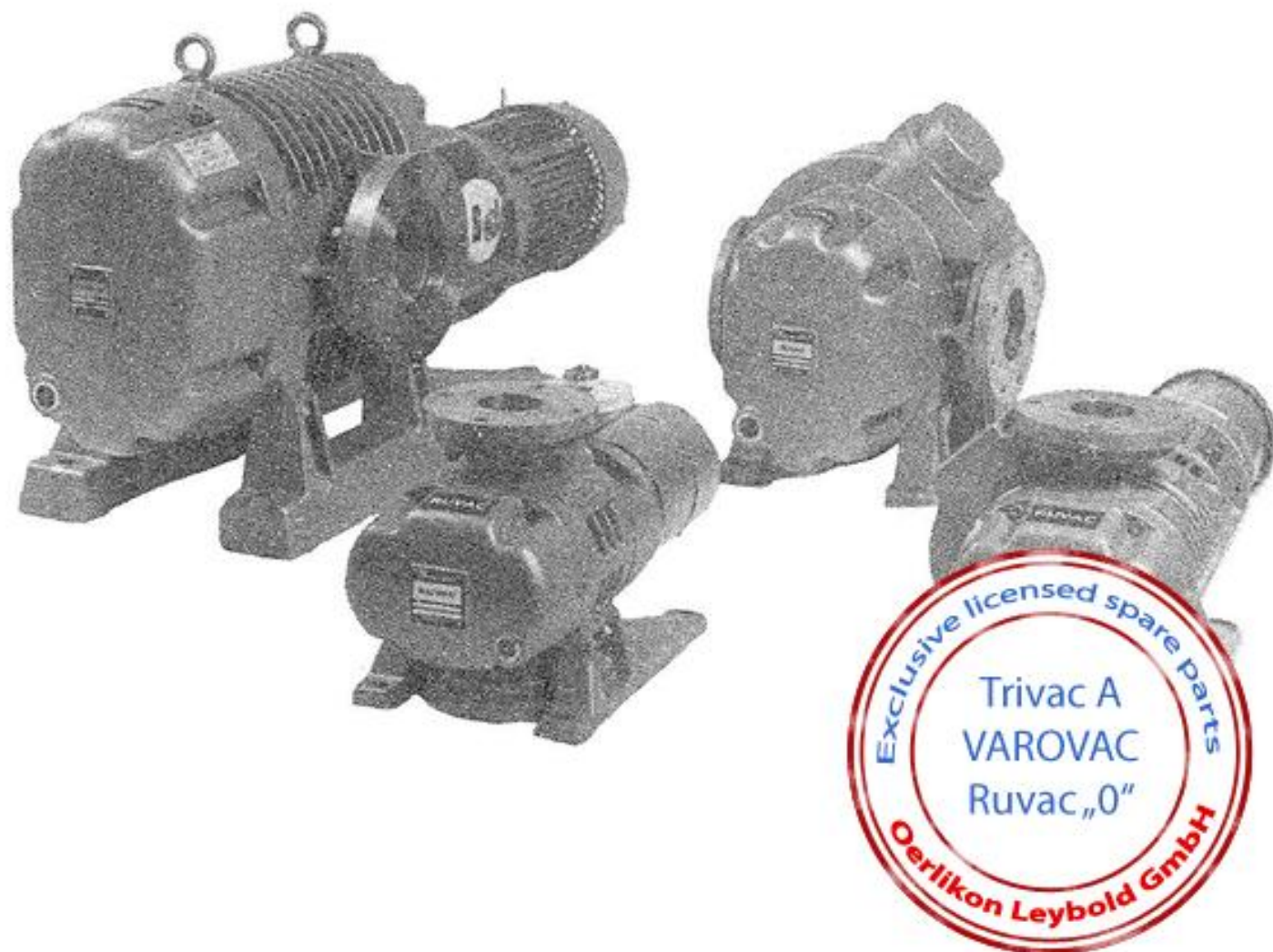


Spare parts for



Leybold Ruvac WSU500

Example image - appearance can vary
Beispielbild - Aussehen kann variieren

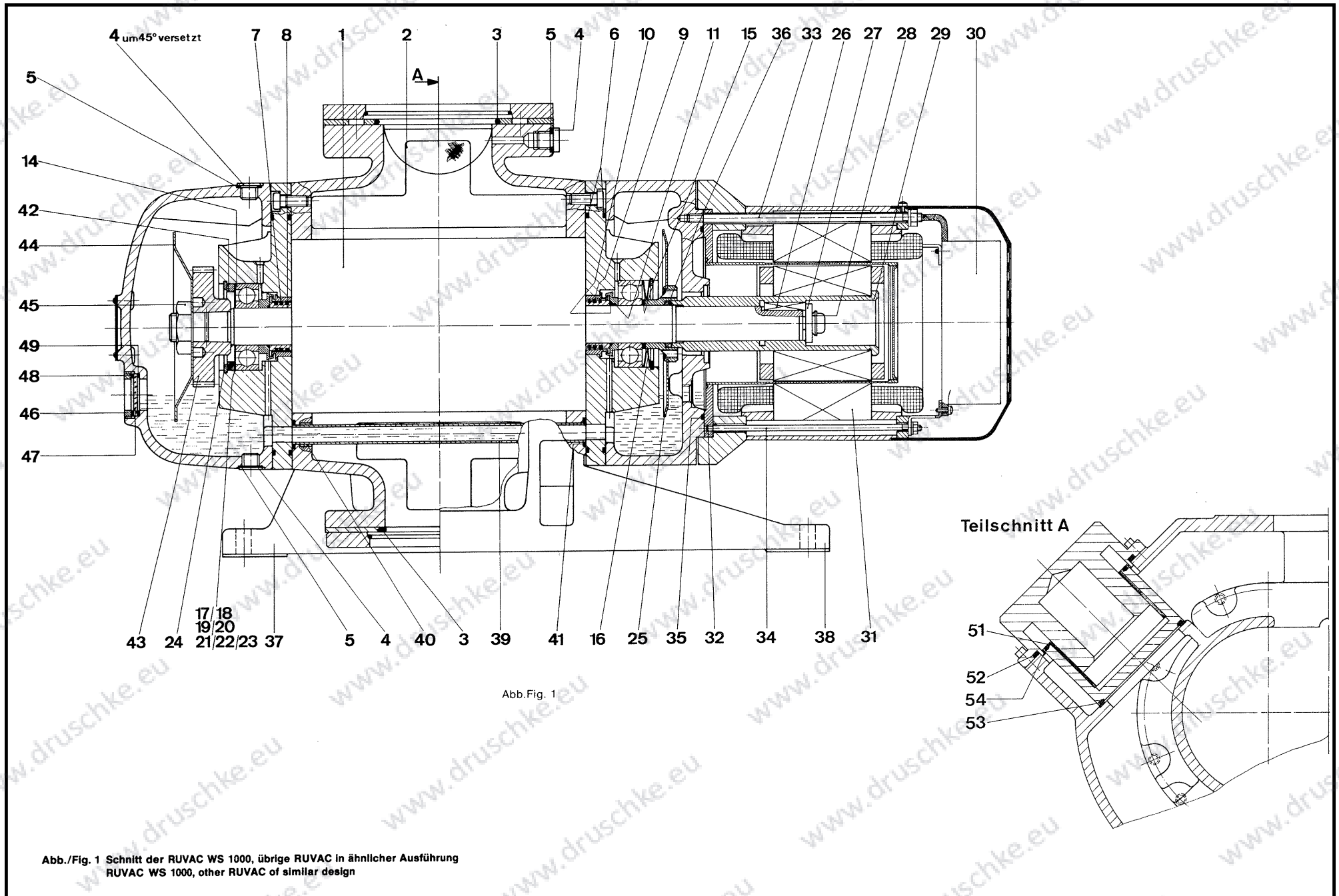
www.druschke.eu

Spare parts

Item	Description	Qty.	Unit	Order number	Package 1	Package 2	Note
1	Pair of impellers	1	Stk	62703113			
2	Dirt trap	1	Stk	E41070116			
3	O-ring	2	Stk	23970510	✓	✓	
4	Drain plug	4	Stk	20127105	✓	✓	
5	Flat gasket	4	Stk	23955165	✓	✓	
6	O-ring	4	Stk	23970432	✓	✓	
7	Shaft seal housing	4	Stk	33188122			
8	Piston ring holder	4	Stk	43131293			
9	Piston ring	12	Stk	23179259		✓	
10	O-ring	4	Stk	23970415	✓	✓	
11	Splash ring	4	Stk	23152110			
14	Ball bearing	4	Stk	26101173		✓	
16	Plate spring washer	4	Stk	22182211			
17-23	Gauge disc set	1	Stk	62703135		✓	
24	Circlip	4	Stk	23104145			
25	Splash plate	1	Stk	22102212			
26	Key	1	Stk	62703425			
27	Conical seat	1	Stk	22122304			
28	Ball washer	1	Stk	22122104			
29	Rotor	1	Stk	62703120			
30	Fan	1	Stk	38093103			
31	Canned motor	1	Stk	62703106			
32	Tube of canned motor	1	Stk	62703121			
33	Threaded stud	4	Stk	62703427			
34	Threaded stud	2	Stk	62703428			
35	O-ring	1	Stk	E23970418	✓	✓	
36	Gasket ring	1	Stk	62703426	✓	✓	
37	Foot, left	1	Stk	62703309			
38	Foot, right	1	Stk	62703310			
39	Tube	1	Stk	62703411			
40	Tube piece	2	Stk	62702412			
41	O-ring	4	Stk	23970111	✓	✓	
42	Distance ring	2	Stk	23192160			
43	Pair of gearwheels	1	Stk	62703114			
44	Splash plate	1	Stk	62703409			
45	Nut	2	Stk	62703445			
46	Threaded ring	1	Stk	20013294			
47	Sight glass	1	Stk	22680140			
48	Reflector	1	Stk	20013180			
49	O-ring	1	Stk	23970435	✓	✓	
51	Sleeve DU	1	Stk	E27027125			
52	O-ring	1	Stk	23970302	✓	✓	
53	O-ring	1	Stk	23970129	✓	✓	
54	O-ring	1	Stk	23970504	✓	✓	

We reserve the right of alteration of technical data. Illustrations are not binding.

Spare parts



We reserve the right of alteration of technical data. Illustrations are not binding.

Spare Parts – Made in Germany – produced by Druschke GmbH