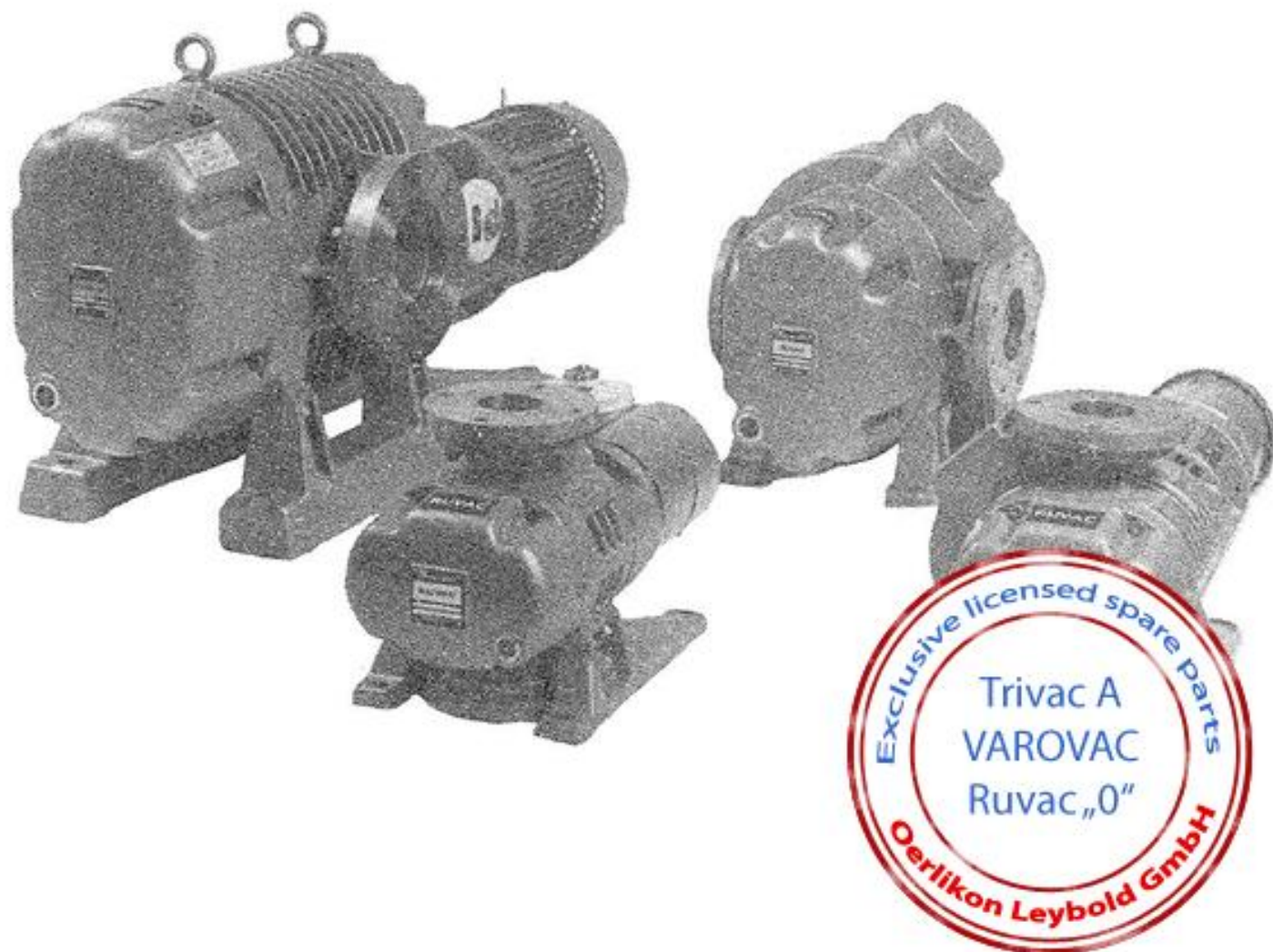


# Ruvac 1000 WA

## Spare parts for



# Leybold Ruvac WA1000

**Example image - appearance can vary**  
**Beispielbild - Aussehen kann variieren**

[www.druschke.eu](http://www.druschke.eu)

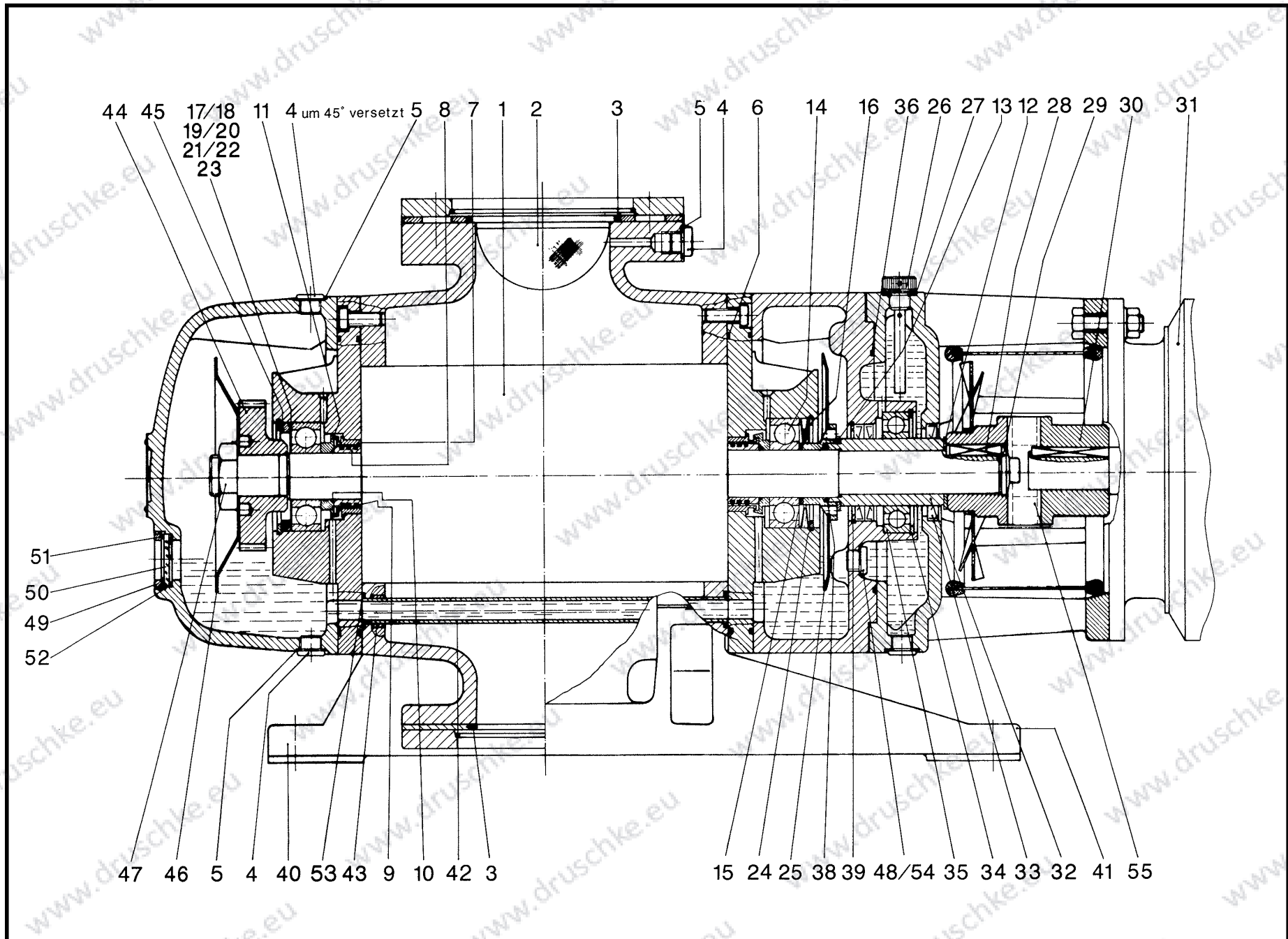


# Spare parts

Item	Description	Qty.	Unit	Order number	Package 1	Package 2	Note
	Ball bearing	4	Stk	26101175		✓	
	Vacuum pump oil N62/1	3,5	Ltr.	N62/1			
1	Pair of impellers	1	Stk	62704113			
2	Dirt trap	1	Stk	E41070117			
3	O-ring	2	Stk	23970511	✓	✓	
4	Drain plug	5	Stk	20127105	✓	✓	
5	Flat gasket	5	Stk	23955165	✓	✓	
6	O-ring	4	Stk	E23970433	✓	✓	
7	Shaft seal housing	4	Stk	33188121			
8	Piston ring holder	4	Stk	43131290			
9	Piston ring	16	Stk	23153217		✓	
10	O-ring	4	Stk	23970435	✓	✓	
11	Splash ring	4	Stk	23152109			
12	Distance ring	1	Stk	20013214			
15	Distance ring	1	Stk	62704499			
16	Plate spring washer	16	Stk	22182210			
17-23	Gauge disc set	1	Stk	62704136		✓	
24	Retaining ring	4	Stk	23104149			
25	Splash plate	1	Stk	62704103			
26	Venting screw.	1	Stk	62734109			
26a	Oil cup Ø60	1	Stk	E49013103			
26b	Seal kit Oil cup Ø60	1	Stk	902500517		✓	
27	Flat gasket	1	Stk	23955165	✓	✓	
28	Key	1	Stk	62704425			
29	Washer	1	Stk	62704410			
30	Coupling, Rotex	1	Stk	62734116			
31	AC-Motor 3 phase	1	Stk	E38066106			
32	Shaft bushing	1	Stk	62734509		✓	
33	Radial shaft seal	3	Stk	20013032	✓	✓	
33a	Radial shaft seal	1	Stk	20013455	✓	✓	
34	Circlip	1	Stk	23104150			
35	Ball bearing	1	Stk	E26101112		✓	
36	O-ring	1	Stk	23970303	✓	✓	
38	O-ring	1	Stk	20013219	✓	✓	
39	Circlip	2	Stk	23104145			
40	Foot, left	1	Stk	62704309			
41	Foot, right	1	Stk	62704310			
42	Tube	1	Stk	E20013147			
43	Tube piece	2	Stk	ES62704412			
44	Pair of gearwheels	1	Stk	62704114			
45	Distance ring	2	Stk	62704408			
46	Splash plate	1	Stk	20013137			
47	ring	1	Stk	20013138			



# Spare parts



We reserve the right of alteration of technical data. Illustrations are not binding.

Spare Parts – Made in Germany – produced by Druschke GmbH