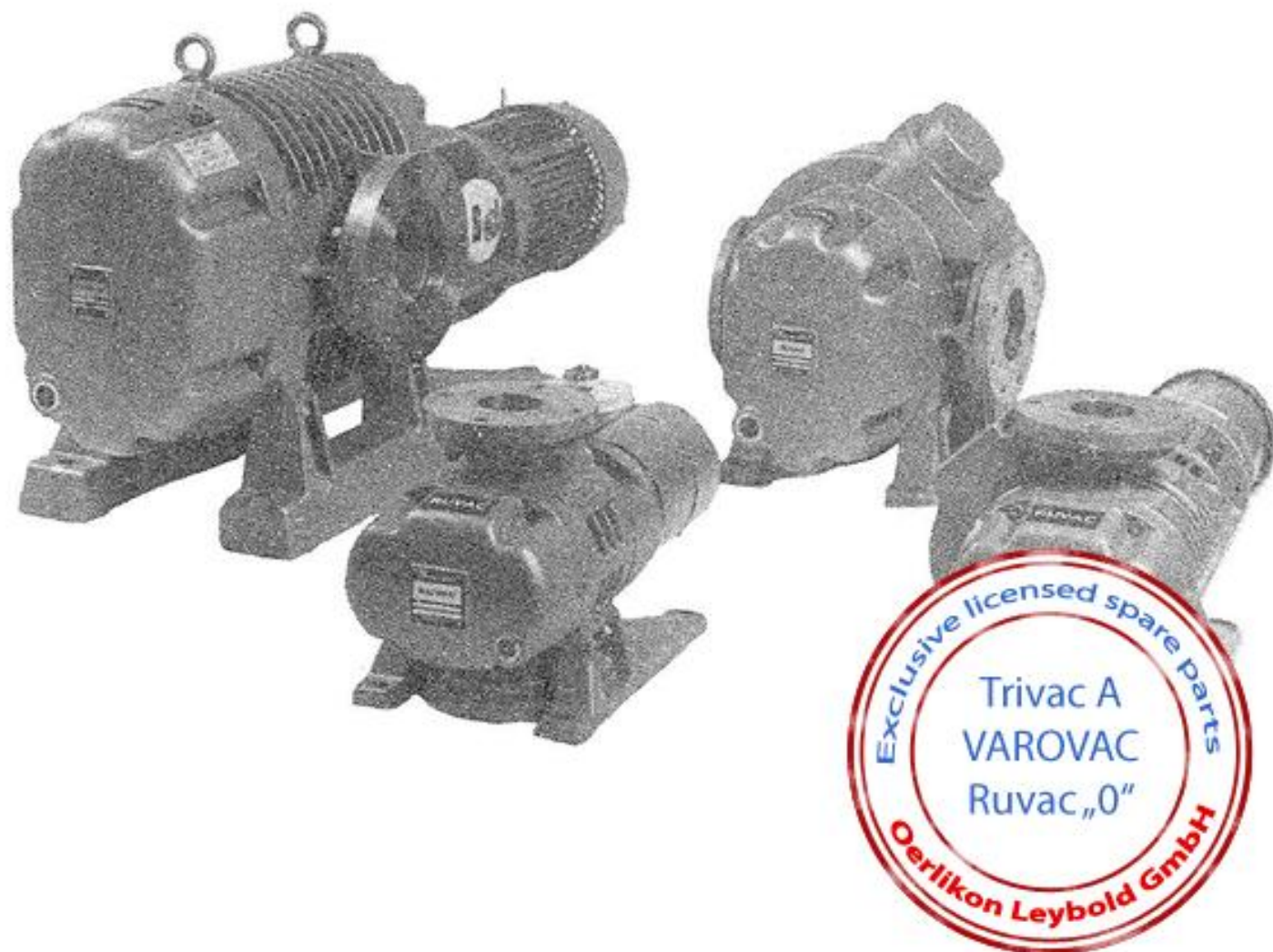


Ruvac 2000 WA

DRUSCHKE
VACUUMSERVICE

Spare parts for



Leybold Ruvac WA2000

Example image - appearance can vary
Beispielbild - Aussehen kann variieren

www.druschke.eu

 **VACUUMSERVICE**

 **MAINTENANCE TRAINING CENTRE**

 **MANUFACTURING OF SEALING COMPONENTS**

Spare parts

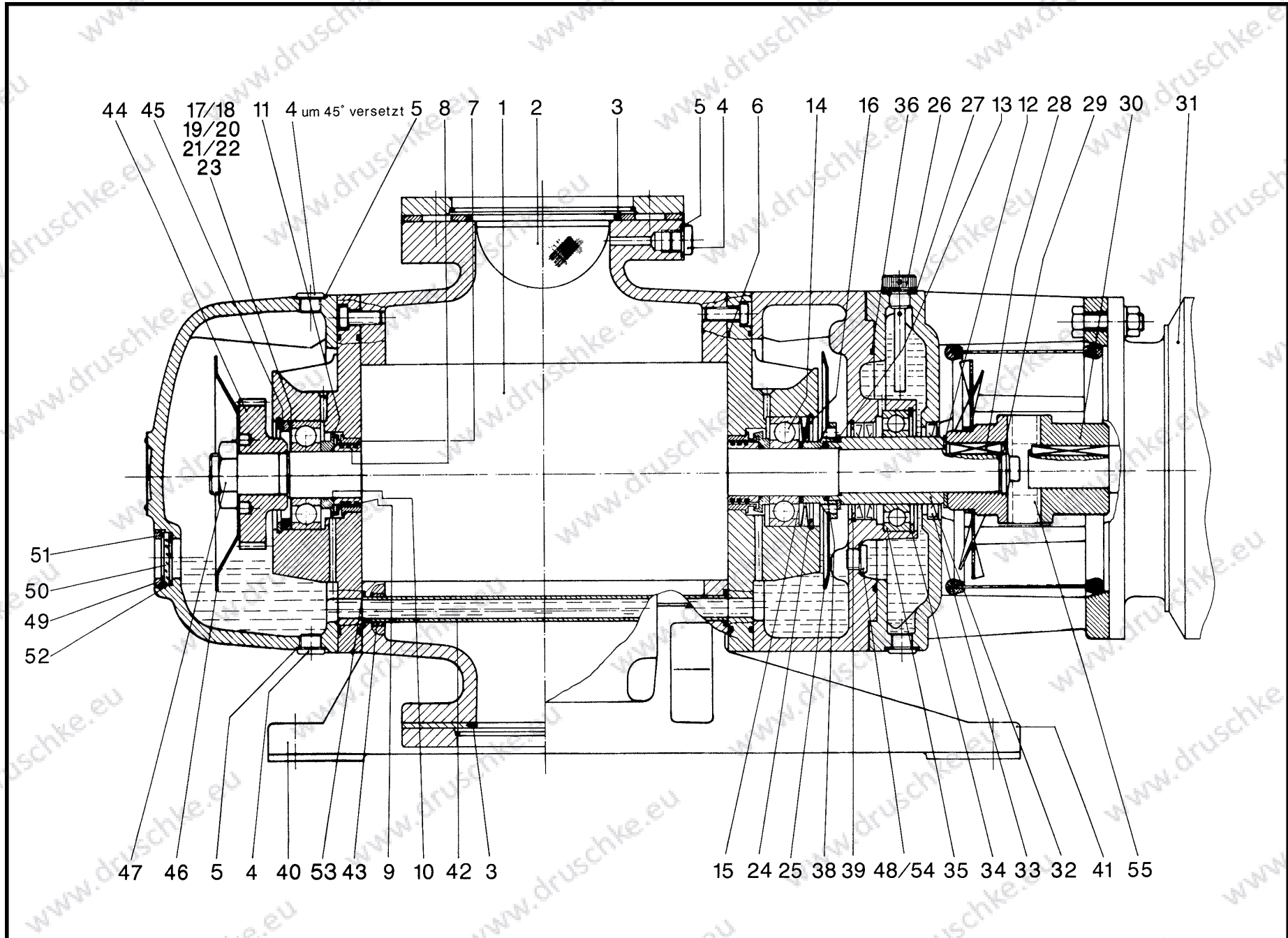
Item	Description	Qty.	Unit	Order number	Package 1	Package 2	Note
	Vacuum pump oil N62/1	6	Ltr.	N62/1			
1	Pair of impellers	1	Stk	62705113			
2	Dirt trap	1	Stk	E63408344			
3	O-ring	2	Stk	E23970512	✓	✓	
4	Drain plug	5	Stk	20127105	✓	✓	
5	Flat gasket	5	Stk	23955165	✓	✓	
6	O-ring	4	Stk	23970124	✓	✓	
7	Shaft seal housing	4	Stk	33188119			
8	Shaft seal holder	4	Stk	43131292			
9	Piston ring	16	Stk	23153216		✓	
10	O-ring	4	Stk	23970416	✓	✓	
11	Splash ring	4	Stk	23152107			
12	Distance ring	1	Stk	20013216			
13	Distance ring	1	Stk	20013215			
14	Ball bearing	4	Stk	26101176		✓	
15	Distance ring	1	Stk	62705499			
16	Plate spring washer	16	Stk	22182209			
17-23	Gauge disc set	1	Stk	62705137		✓	
24	Circlip	4	Stk	23104150			
25	Splash plate	1	Stk	62705103			
26	Venting screw.	1	Stk	62734109			
26a	Oil cup Ø60	1	Stk	E49013103			
26b	Seal kit Oil cup Ø60	1	Stk	902500517		✓	
27	Flat gasket	1	Stk	23955165	✓	✓	
28	Key	1	Stk	62705425			
29	Disk	1	Stk	62705410			
30	Coupling, Rotex	1	Stk	62735116			
31	AC-Motor 3 phase	1	Stk	E6507059			
32	Shaft bushing	1	Stk	62735509		✓	
33	Radial shaft seal	3	Stk	20013032	✓	✓	
33a	Radial shaft seal	1	Stk	20013455	✓	✓	
35	Ball bearing	1	Stk	E26101112		✓	
36	O-ring	1	Stk	23970202	✓	✓	
38	O-ring	1	Stk	23970157	✓	✓	
39	Circlip	2	Stk	23104145			
40	Foot, left	1	Stk	62705309			
41	Foot, right	1	Stk	62705310			
42	Tube	1	Stk	20013146			
43	Tube piece	2	Stk	ES62704412			
44	Pair of gearwheels	1	Stk	20013155			Variante Ø151x50
44	Pair of gearwheels	1	Stk	62705114			Variante Ø141x40
45	Distance ring	2	Stk	62705408			
46	Splash plate	1	Stk	20013139			

Spare parts

Item	Description	Qty.	Unit	Order number	Package 1	Package 2	Note
47	Nut	2	Stk	20013140			
48	Gasket ring	2	Stk	71038212	✓	✓	
49	Threaded ring	1	Stk	20013294			
50	Sight glass	1	Stk	22680140			
51	Reflector	1	Stk	20013180			
52	O-ring	1	Stk	20013975	✓	✓	
53	O-ring	4	Stk	23970154	✓	✓	
54	Drain plug	2	Stk	20127105			
55	Coupling element	1	Stk	70100198	✓	✓	

We reserve the right of alteration of technical data. Illustrations are not binding.

Spare parts



We reserve the right of alteration of technical data. Illustrations are not binding.

Spare Parts – Made in Germany – produced by Druschke GmbH