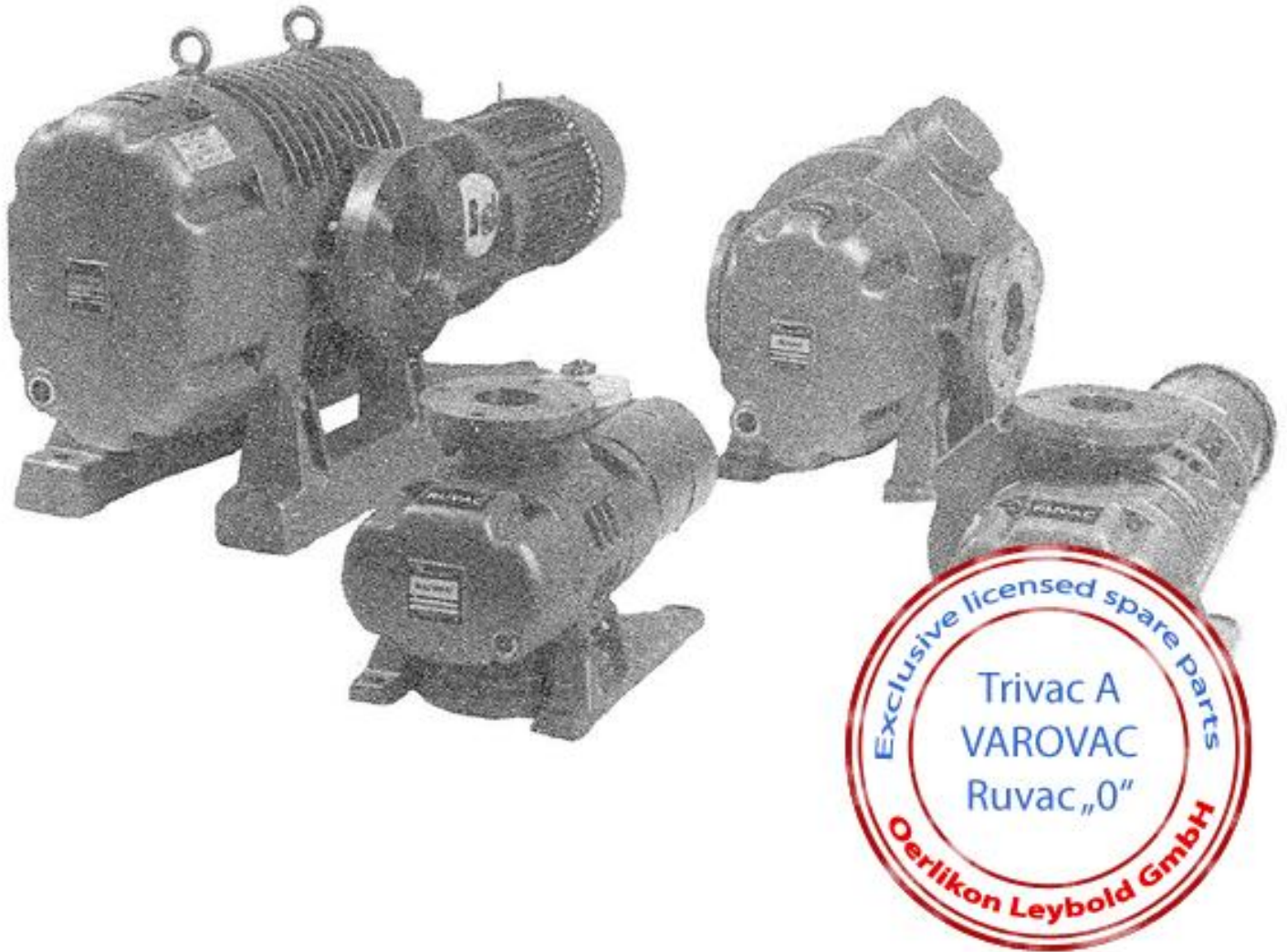


Ruvac 250 WA

DRUSCHKE
VACUUMSERVICE

Spare parts for



Leybold Ruvac WA250

Example image - appearance can vary
Beispielbild - Aussehen kann variieren

www.druschke.eu

 **VACUUMSERVICE**

 **MAINTENANCE TRAINING CENTRE**

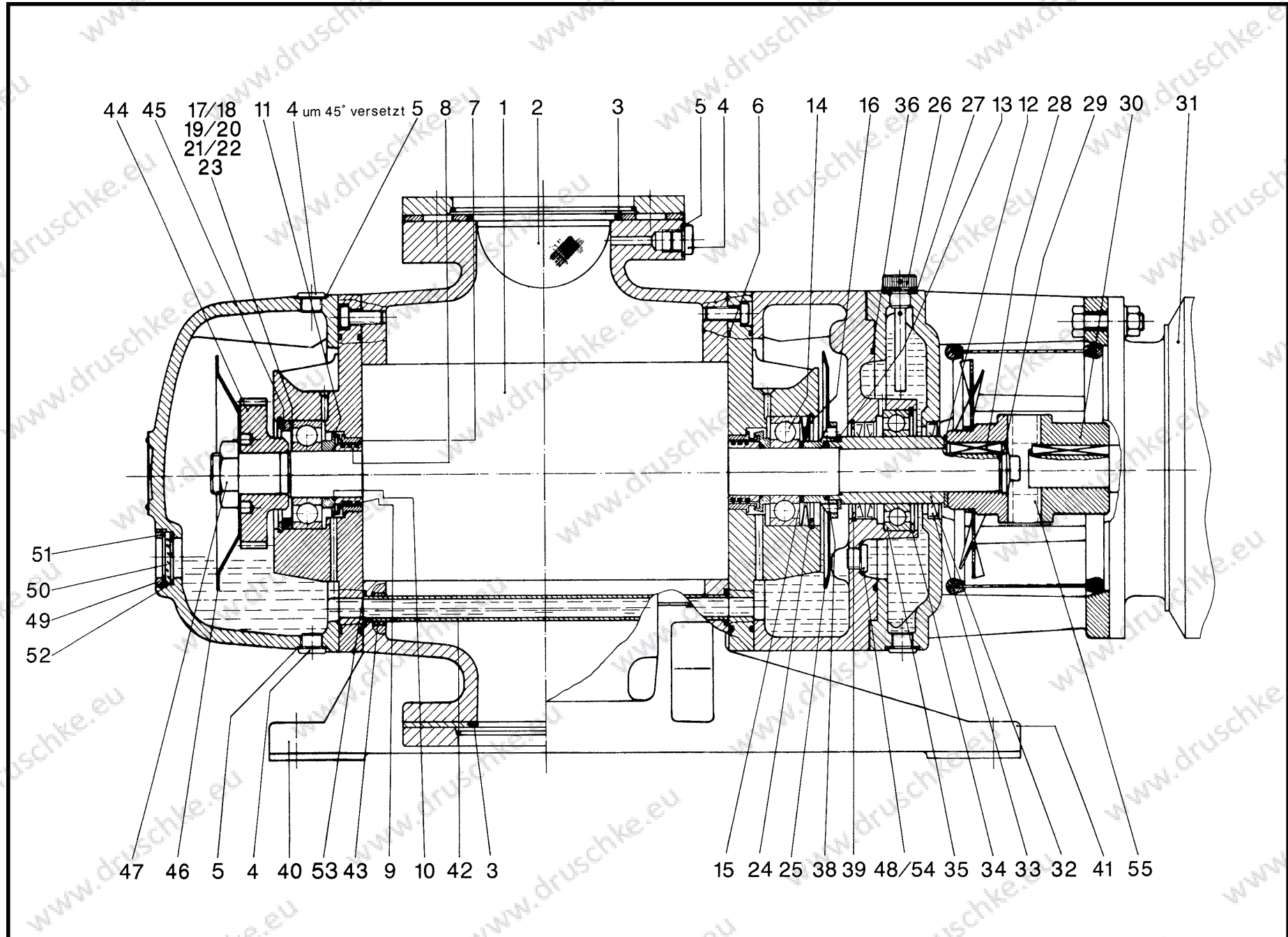
 **MANUFACTURING OF
SEALING COMPONENTS**

Spare parts

Item	Description	Qty.	Unit	Order number	Package 1	Package 2	Note
1	Pair of impellers	1	Stk	62702113			
2	Dirt trap	1	Stk	E41070116			
3	O-ring	2	Stk	23970510	✓	✓	
4	Drain plug	5	Stk	20127105	✓	✓	
5	Flat gasket	5	Stk	23955165	✓	✓	
6	O-ring	4	Stk	23970424	✓	✓	
7	Shaft seal housing	4	Stk	33188120			
8	Piston ring holder	4	Stk	43131291			
9	Piston ring	12	Stk	23179256		✓	
10	O-ring	4	Stk	23970191	✓	✓	
11	Splash ring	4	Stk	23152108			
14	Ball bearing	4	Stk	26101171		✓	
16	Plate spring washer	4	Stk	22182212			
17-23	Gauge disc set	1	Stk	62700134		✓	
24	Circlip	4	Stk	23104140			
25	Splash plate	1	Stk	22102213			
26	Venting screw	1	Stk	62730109			
26a	Oil cup Ø50	1	Stk	E20013460			
26b	Seal kit Oil cup Ø50	1	Stk	902500415		✓	
27	Flat gasket	1	Stk	23955165	✓	✓	
28	Key	1	Stk	62702425			
29	Disk	1	Stk	62730461			
30	Coupling, Rotex	1	Stk	62732467			
31	AC-Motor 3 phase	1	Stk	38066102			
32	Shaft bushing	1	Stk	62732509		✓	
33	Radial shaft seal	2	Stk	20013031	✓	✓	
34	Circlip	1	Stk	23104140			
35	Ball bearing	1	Stk	26101301		✓	
36	O-ring	1	Stk	E23970411	✓	✓	
38	Gasket ring	1	Stk	62702426	✓	✓	
39	Circlip	1	Stk	23104132			
40	Foot left	1	Stk	62702309			
41	Foot right	1	Stk	62702310			
42	Tube	1	Stk	62702411			
43	Tube piece	2	Stk	62702412			
44	Pair of gearwheels	1	Stk	62702114			
45	Distance ring	2	Stk	23192161			
46	Splash plate	1	Stk	62702409			
47	Nut	2	Stk	62700445			
48	Gasket ring	2	Stk	22401209	✓	✓	
49	Lock ring	1	Stk	23154207			
50	Sight glass	1	Stk	22680139			
51	Washer	1	Stk	23375135	✓	✓	

We reserve the right of alteration of technical data. Illustrations are not binding.

Spare parts



We reserve the right of alteration of technical data. Illustrations are not binding.

Spare Parts – Made in Germany – produced by Druschke GmbH