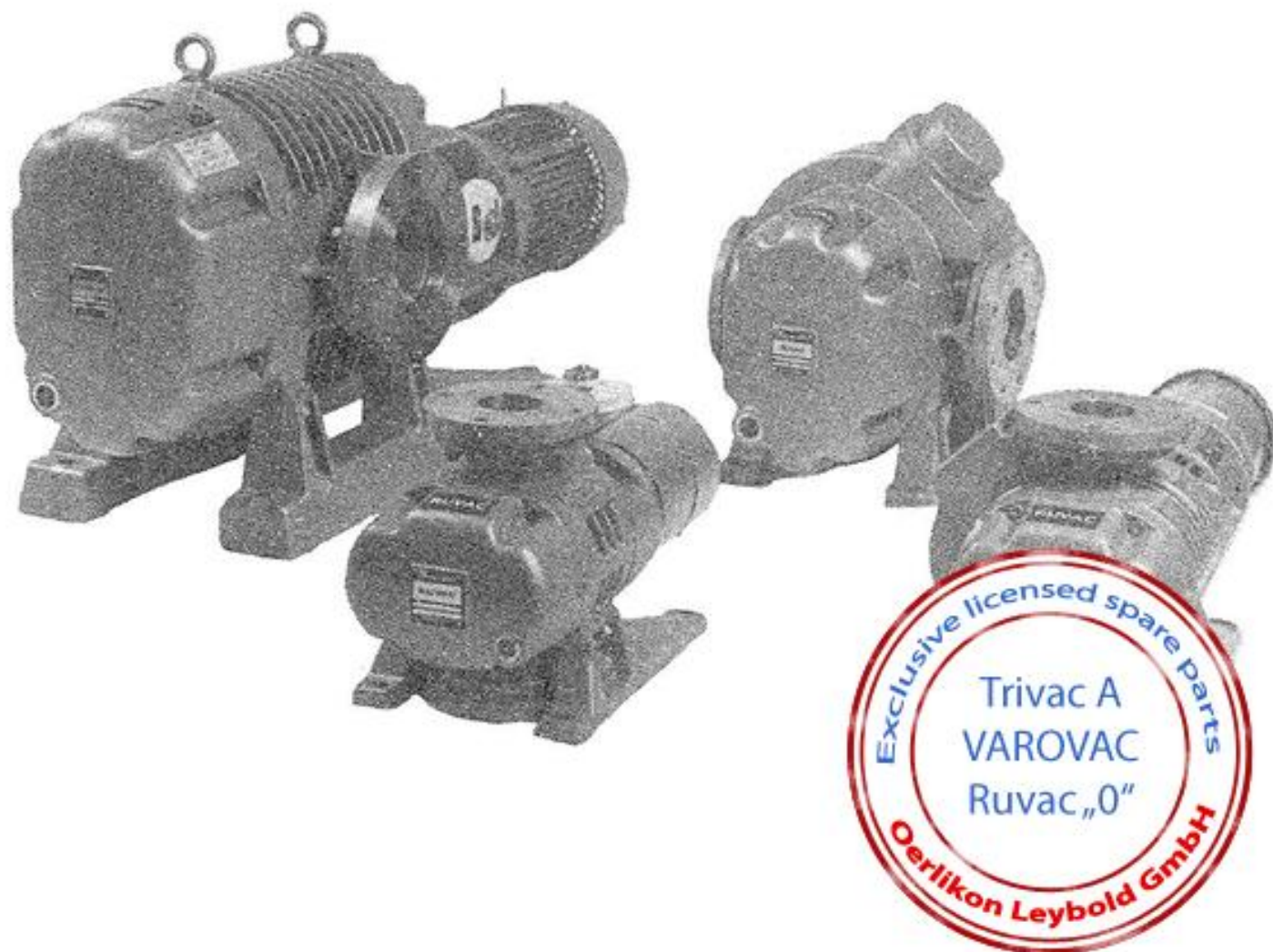


# Ruvac 500 WA

## Spare parts for



# Leybold Ruvac WA500

**Example image - appearance can vary**  
**Beispielbild - Aussehen kann variieren**

[www.druschke.eu](http://www.druschke.eu)

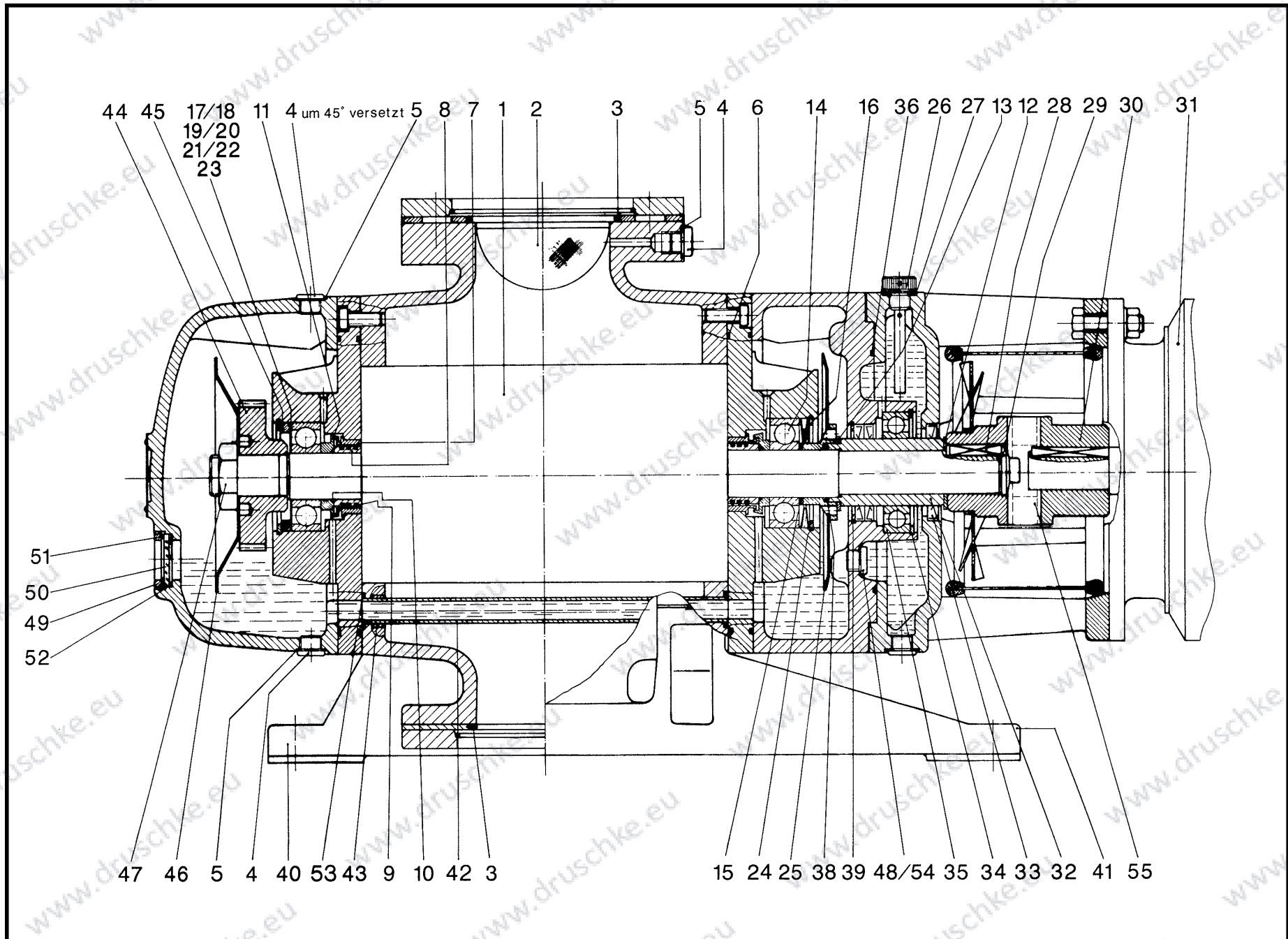


# Spare parts

Item	Description	Qty.	Unit	Order number	Package 1	Package 2	Note
	Vacuum pump oil N62/1	2,5	Ltr.	N62/1			
1	Pair of impellers	1	Stk	62703113			
2	Dirt trap	1	Stk	E41070116			
3	O-ring	2	Stk	23970510	✓	✓	
4	Drain plug	5	Stk	20127105	✓	✓	
5	Flat gasket	5	Stk	23955165	✓	✓	
6	O-ring	4	Stk	23970432	✓	✓	
7	Shaft seal housing	4	Stk	33188122			
8	Piston ring holder	4	Stk	43131293			
9	Piston ring	12	Stk	23179259		✓	
10	O-ring	4	Stk	23970415	✓	✓	
11	Splash ring	4	Stk	23152110			
14	Ball bearing	4	Stk	26101173		✓	
16	Plate spring washer	4	Stk	22182211			
17-23	Gauge disc set	1	Stk	62703135		✓	
24	Circlip	4	Stk	23104145			
25	Splash plate	1	Stk	22102212			
26	Venting screw	1	Stk	62733109			
26a	Oil cup Ø50	1	Stk	E20013460			
26b	Seal kit Oil cup Ø50	1	Stk	902500415		✓	
27	Flat gasket	1	Stk	23955165	✓	✓	
28	Key	1	Stk	62703425			
29	Disk	1	Stk	62703410			
30	Coupling, Rotex	1	Stk	62733467			
31	AC-Motor 3 phase	1	Stk	E38066104			
32	Shaft bushing	1	Stk	62733509		✓	
33	Radial shaft seal	2	Stk	20013031	✓	✓	
34	Circlip	1	Stk	23104140			
35	Ball bearing	1	Stk	26101301		✓	
36	O-ring	1	Stk	E23970418	✓	✓	
38	Gasket ring	1	Stk	62703426	✓	✓	
39	Circlip	1	Stk	23104132			
40	Foot, left	1	Stk	62703309			
41	Foot, right	1	Stk	62703310			
42	Tube	1	Stk	62703411			
43	Tube piece	2	Stk	62702412			
44	Pair of gearwheels	1	Stk	62703114			
45	Distance ring	2	Stk	23192160			
46	Splash plate	1	Stk	62703409			
47	Nut	2	Stk	62703445			
48	Gasket ring	2	Stk	71038212	✓	✓	
49	Threaded ring	1	Stk	20013294			
50	Sight glass	1	Stk	22680140			



# Spare parts



We reserve the right of alteration of technical data. Illustrations are not binding.

Spare Parts – Made in Germany – produced by Druschke GmbH