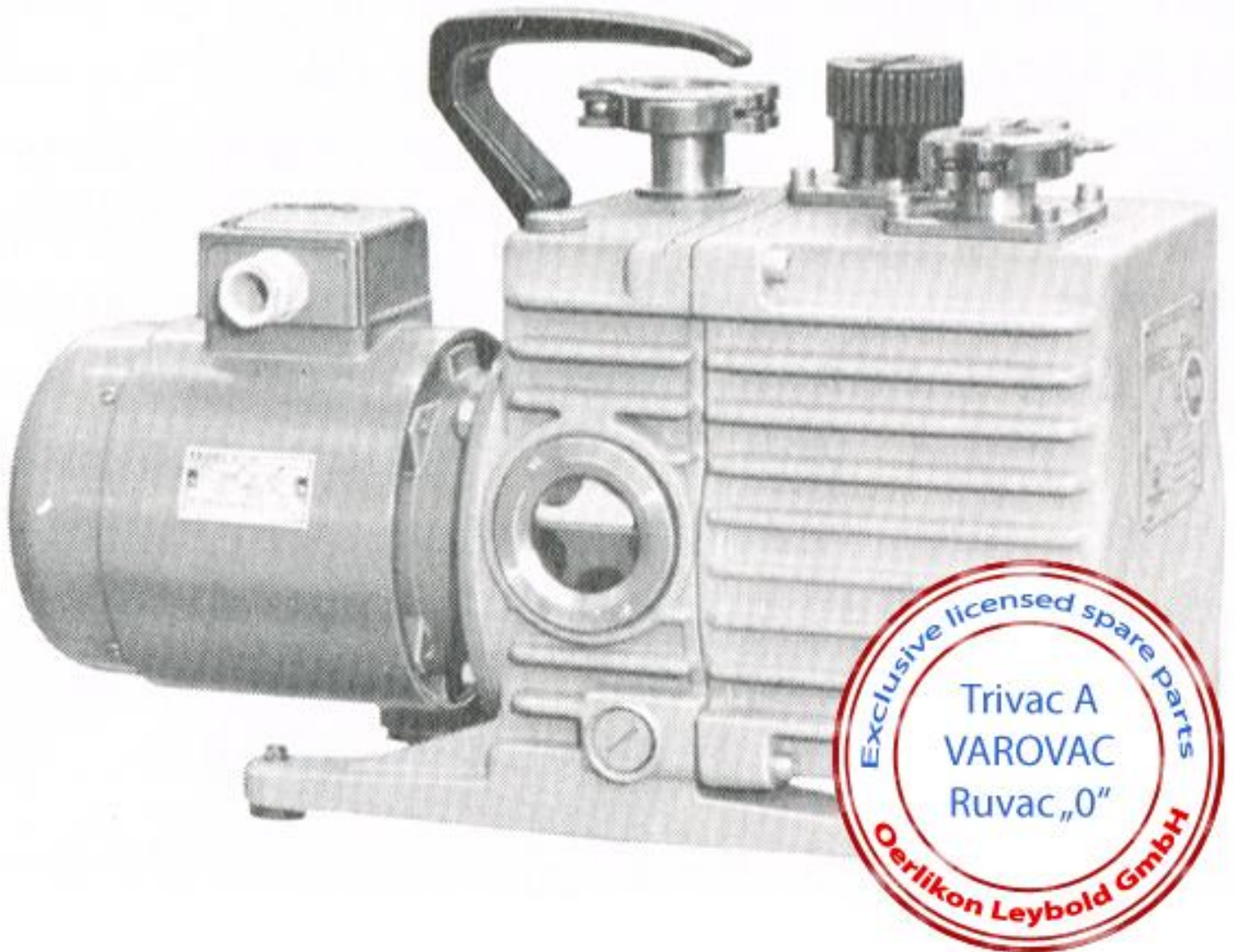


Trivac D16A

DRUSCHKE
VACUUMSERVICE

Spare parts for



Leybold Trivac D16 A

Example image - appearance can vary
Beispielbild - Aussehen kann variieren

www.druschke.eu

 **VACUUMSERVICE**

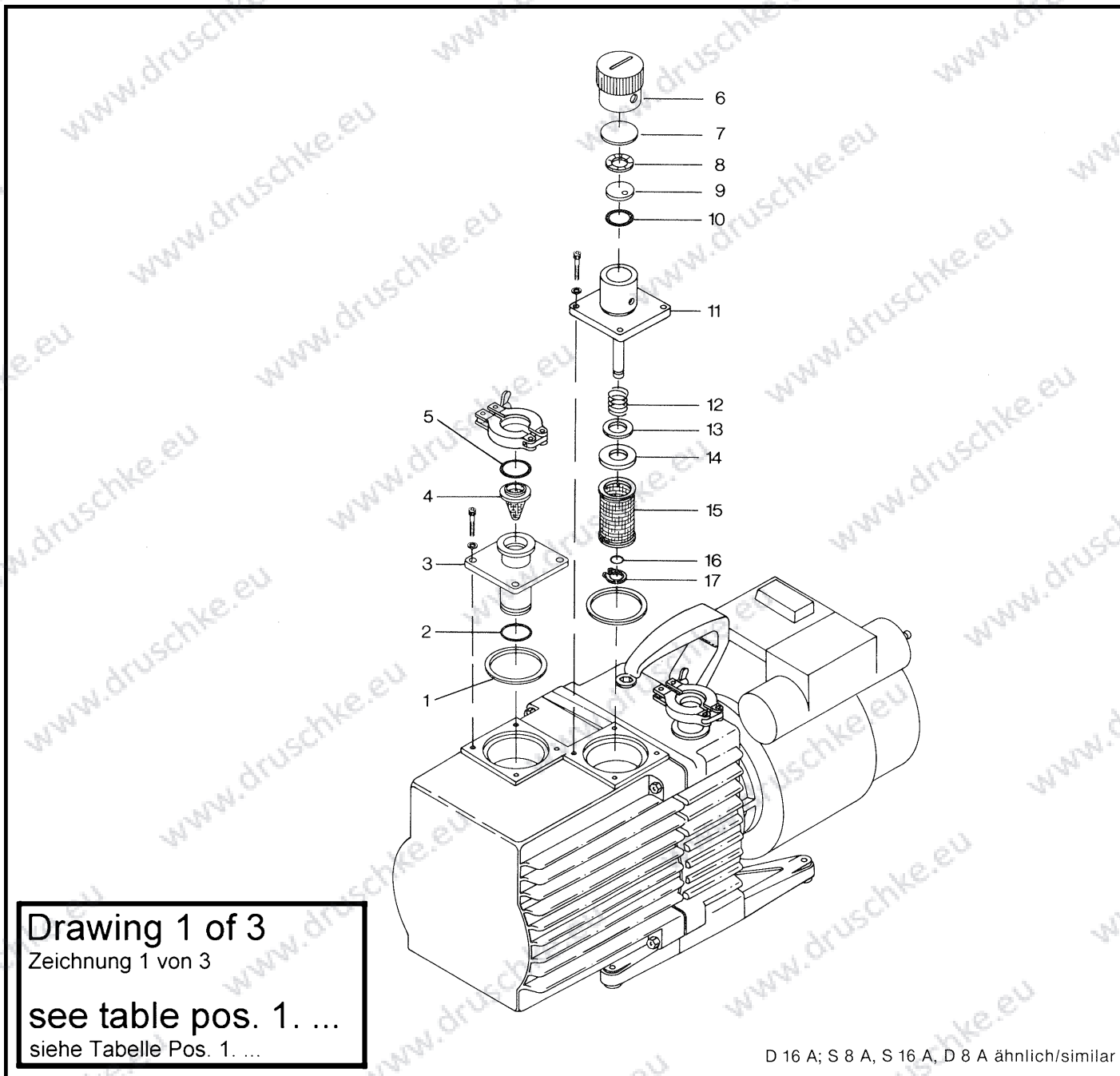
 **MAINTENANCE TRAINING CENTRE**

 **MANUFACTURING OF
SEALING COMPONENTS**

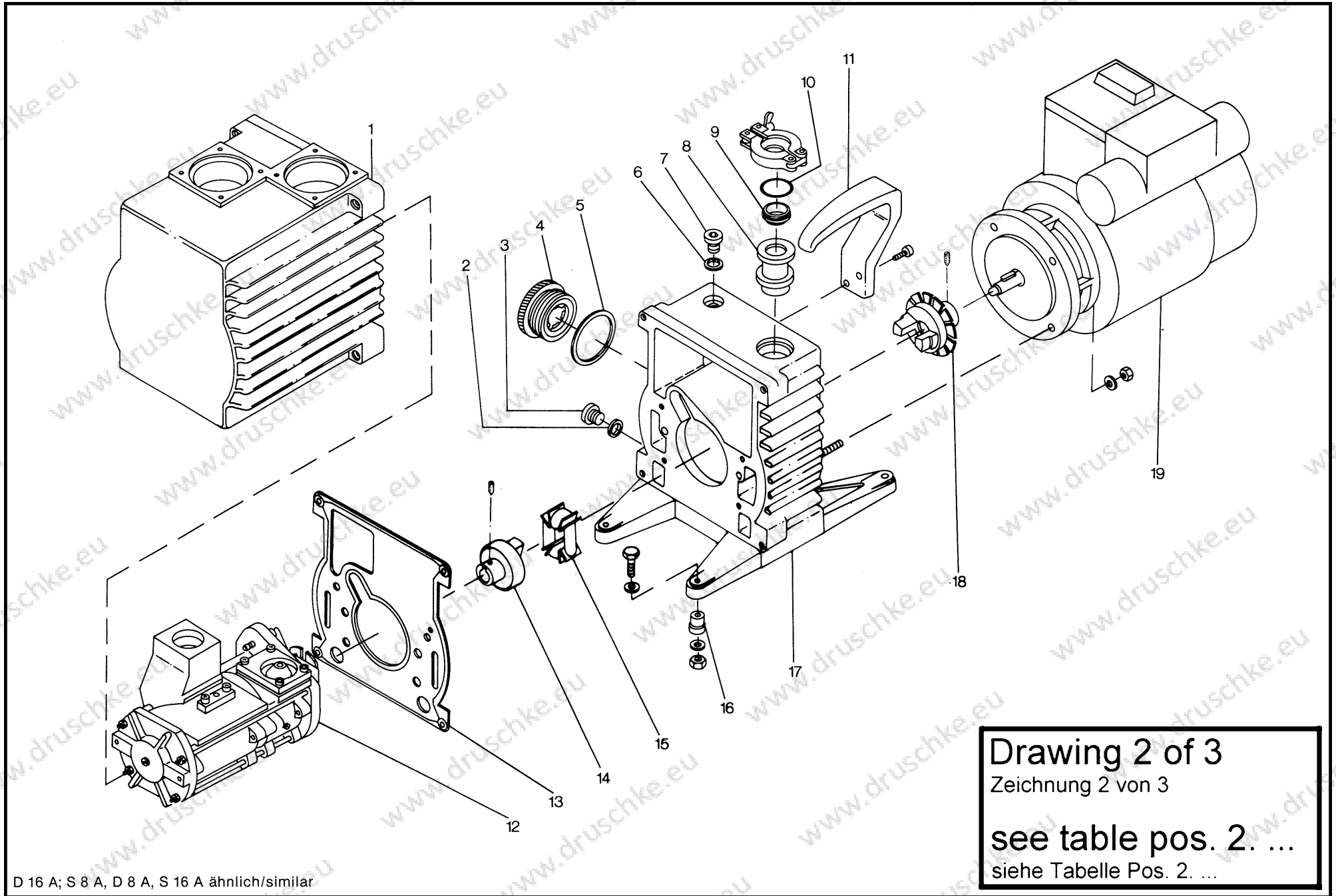
Sparte parts

Item	Description	Qty.	Unit	Order number	Package 1	Package 2	Note
1.1	Flat gasket	2	Stk	23820156	✓	✓	
1.2	O-ring	1	Stk	23970117	✓	✓	
1.3	Intake tube	1	Stk	43360119			
1.4	Dirt trab	1	Stk	41170124			
1.4	Dirt trap	1	Stk	41170206			
1.5	O-ring	1	Stk	23970506			
1.6	Cap	1	Stk	34975105			
1.7	Stifening disk	1	Stk	22204107			
1.8	Retaining washer	1	Stk	22149207			
1.9	Valve	1	Stk	35020158		✓	
1.10	O-ring	1	Stk	23970436	✓	✓	
1.11	Gasballast valve housing	1	Stk	35167206			
1.12	Spring	1	Stk	22162143		✓	
1.13	Fiat gasket	1	Stk	23925226	✓	✓	
1.14	Cover	1	Stk	34101109			
1.15	Filter	1	Stk	39026117		✓	
1.16	O-ring	1	Stk	23970148	✓	✓	
1.17	Retainer ring	1	Stk	23103106			
2.1	Oil casing	1	Stk	33372128			
2.2	Flat gasket	1	Stk	23955165	✓	✓	
2.3	Drain plug	1	Stk	20127105	✓	✓	
2.4	Oil level glass	1	Stk	52040125			
2.5	Flat gasket	1	Stk	23955171	✓	✓	
2.6	Flat gasket	1	Stk	23955165	✓	✓	
2.7	Drain plug	1	Stk	20127105	✓	✓	
2.8	Exhaust port	1	Stk	43360117			
2.9	Center ring	1	Stk	23194206			
2.9	Center ring	1	Stk	23193112			
2.10	O-ring	1	Stk	23970506			
2.11	Handle	1	Stk	28302107			
2.12	Cylinderassembly	1	Stk	10169B2			
2.13	Seal	1	Stk	20010725	✓	✓	
2.14	Coupling compl.	1	Stk	57042129			
2.15	Elastic element	1	Stk	70100147	✓	✓	
2.16	Rubber foot	4	Stk	27980308			
2.17	Coupling housing	1	Stk	33358116			
2.18	Coupling compl.	1	Stk	57042129			
2.19	AC-Motor 1 phase	1	Stk	38066331			
2.19	AC-Motor 3 phase	1	Stk	38066312			
3.1	Radial shaft seal	1	Stk	23953142	✓	✓	
3.2	Vane	3	Stk	20010881		✓	
3.3	Rotor	1	Stk	32166122			
3.4	Piston	1	Stk	32106104			

We reserve the right of alteration of technical data. Illustrations are not binding.

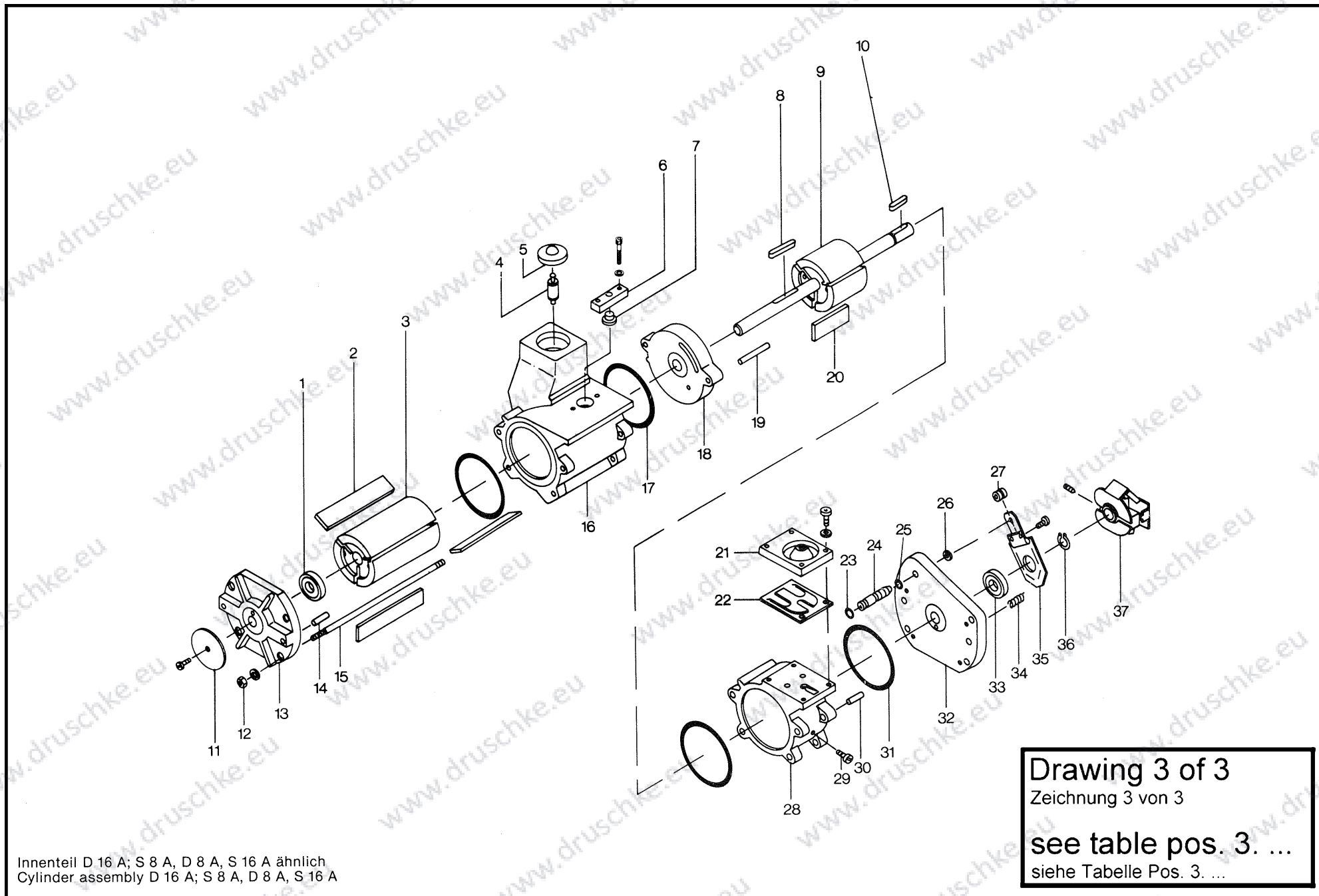


Sparte parts



D 16 A; S 8 A, D 8 A, S 16 A ähnlich/similar

Drawing 2 of 3
Zeichnung 2 von 3
see table pos. 2. ...
siehe Tabelle Pos. 2. ...



Innenteil D 16 A; S 8 A, D 8 A, S 16 A ähnlich
Cylinder assembly D 16 A; S 8 A, D 8 A, S 16 A

Drawing 3 of 3
Zeichnung 3 von 3
see table pos. 3. ...
siehe Tabelle Pos. 3. ...