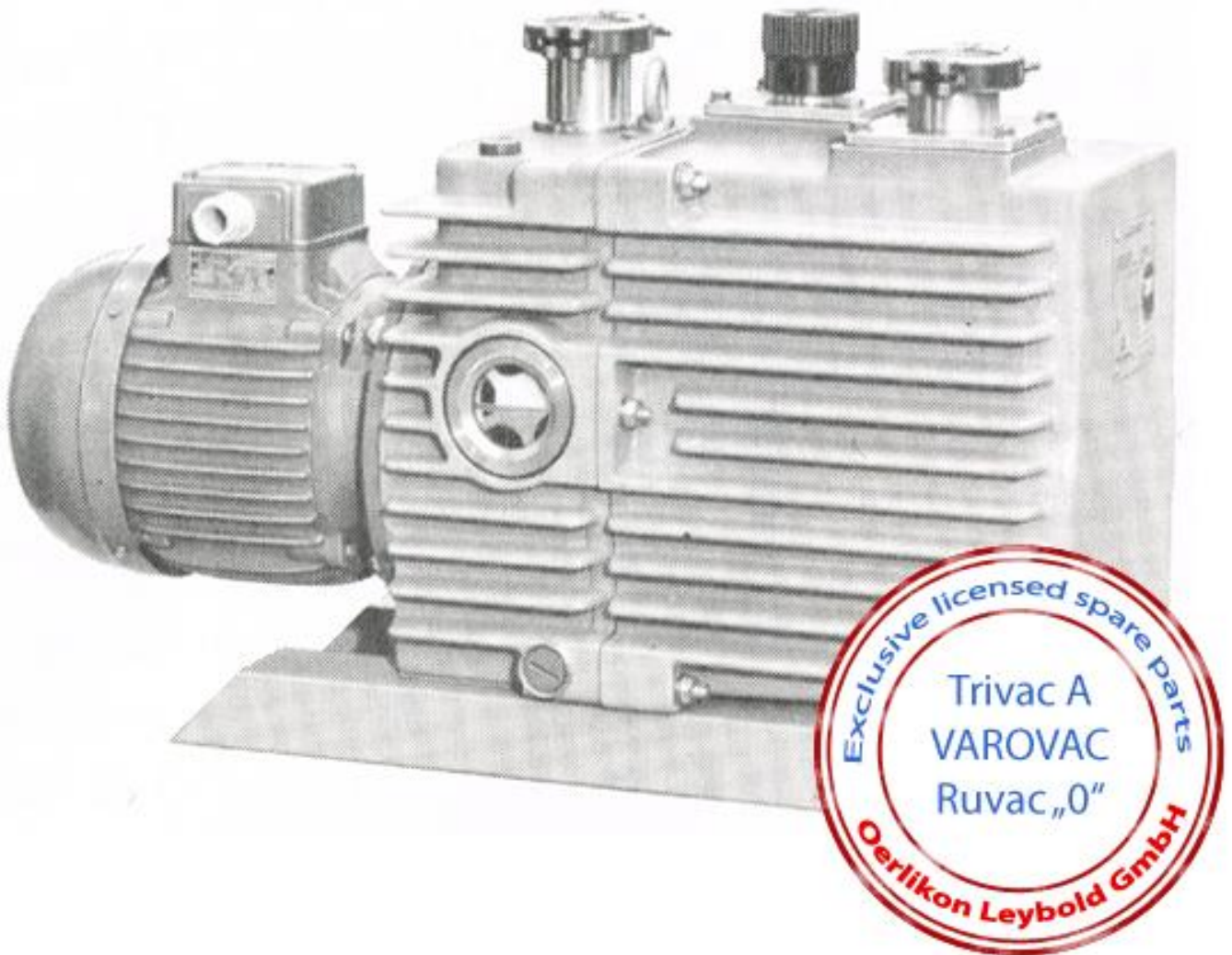


Trivac D30A

## Spare parts for



## Leybold Trivac D30 A

**Example image - appearance can vary**  
**Beispielbild - Aussehen kann variieren**

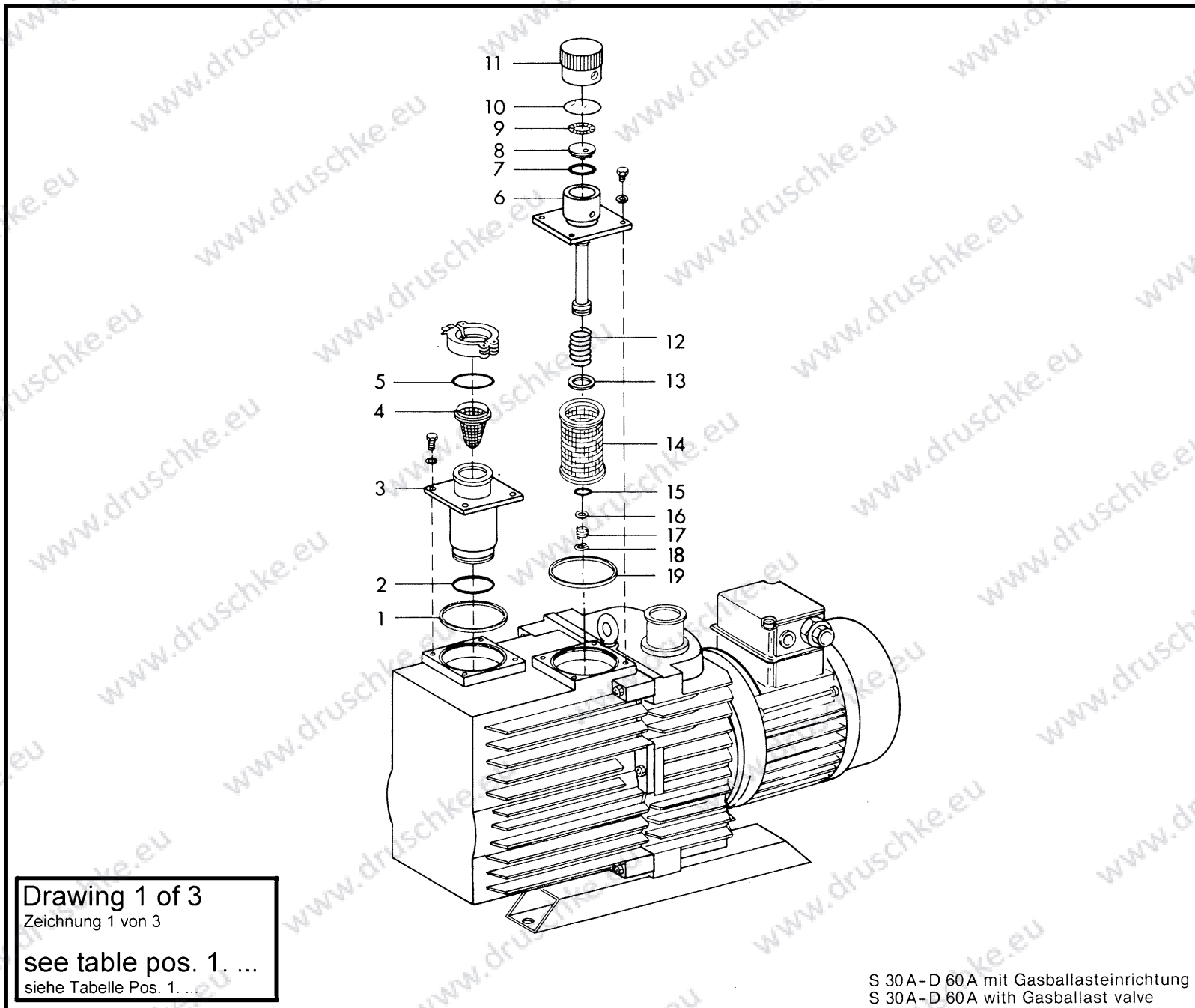
[www.druschke.eu](http://www.druschke.eu)



# Sparte parts

Item	Description	Qty.	Unit	Order number	Package 1	Package 2	Note
1.1	Flat gasket	1	Stk	23820158	✓	✓	
1.2	O-ring	1	Stk	23970304	✓	✓	
1.3	Intake tube	1	Stk	43165116			
1.4	Dirt trab	1	Stk	E41170121			
1.4	Dirt trab	1	Stk	41170203			
1.5	O-ring	1	Stk	23970516			
1.6	Gasballast valve housing	1	Stk	35167207			
1.7	O-ring	1	Stk	23970436	✓	✓	
1.8	Valve	1	Stk	35020158		✓	
1.9	Retaining washer	1	Stk	22149207			
1.10	Stifening disk	1	Stk	22204107			
1.11	Cap	1	Stk	34975105			
1.12	Spring	1	Stk	22162142		✓	
1.13	Flat gasket	1	Stk	23925225	✓	✓	
1.14	Oil separator compl.	1	Stk	41112108			
1.15	O-ring	1	Stk	23970147	✓	✓	
1.16	Valve plate	1	Stk	40164117			
1.17	Spring	1	Stk	22162140		✓	
1.18	Retainer ring	1	Stk	23104104			
1.19	Flat gasket	1	Stk	23820158	✓	✓	
2.1	Oil casing	1	Stk	33372123			
2.2	Pipe socket	1	Stk	43131137			
2.3	Oil level glass	1	Stk	52040125			
2.3	Flat gasket	1	Stk	23955171			
2.4	Exhaust tube	1	Stk	43360115			
2.5	Flat gasket	2	Stk	23955165	✓	✓	
2.6	Drain plug	2	Stk	20127105	✓	✓	
2.7	O-ring	1	Stk	23970516			
2.8	Centering ring	1	Stk	23194207			
2.8	Center ring	1	Stk	23193113			
2.9	AC-Motor 3 phase	1	Stk	38066307			
2.9a	Backstop	1	Stk	02X75114			
2.9b	Backstop	1	Stk	70100337			
2.9C	Backstop	1	Stk	02X75495			
2.10	Coupling compl.	1	Stk	57042113			
2.11	Coupling housing	1	Stk	33155139			
2.12	Food	2	Stk	46175107			
2.13	Elastic element	1	Stk	70100196	✓	✓	
2.14	Gasket	1	Stk	23811142	✓	✓	
2.15	Cylinder assembly	1	Stk	10170B2			
3.1	Washer	1	Stk	45174335			
3.2	Nut	3	Stk	21101314			
3.3	Rear end plate	1	Stk	35155132			
3.4	Cylindrical pin	2	Stk	24103586			

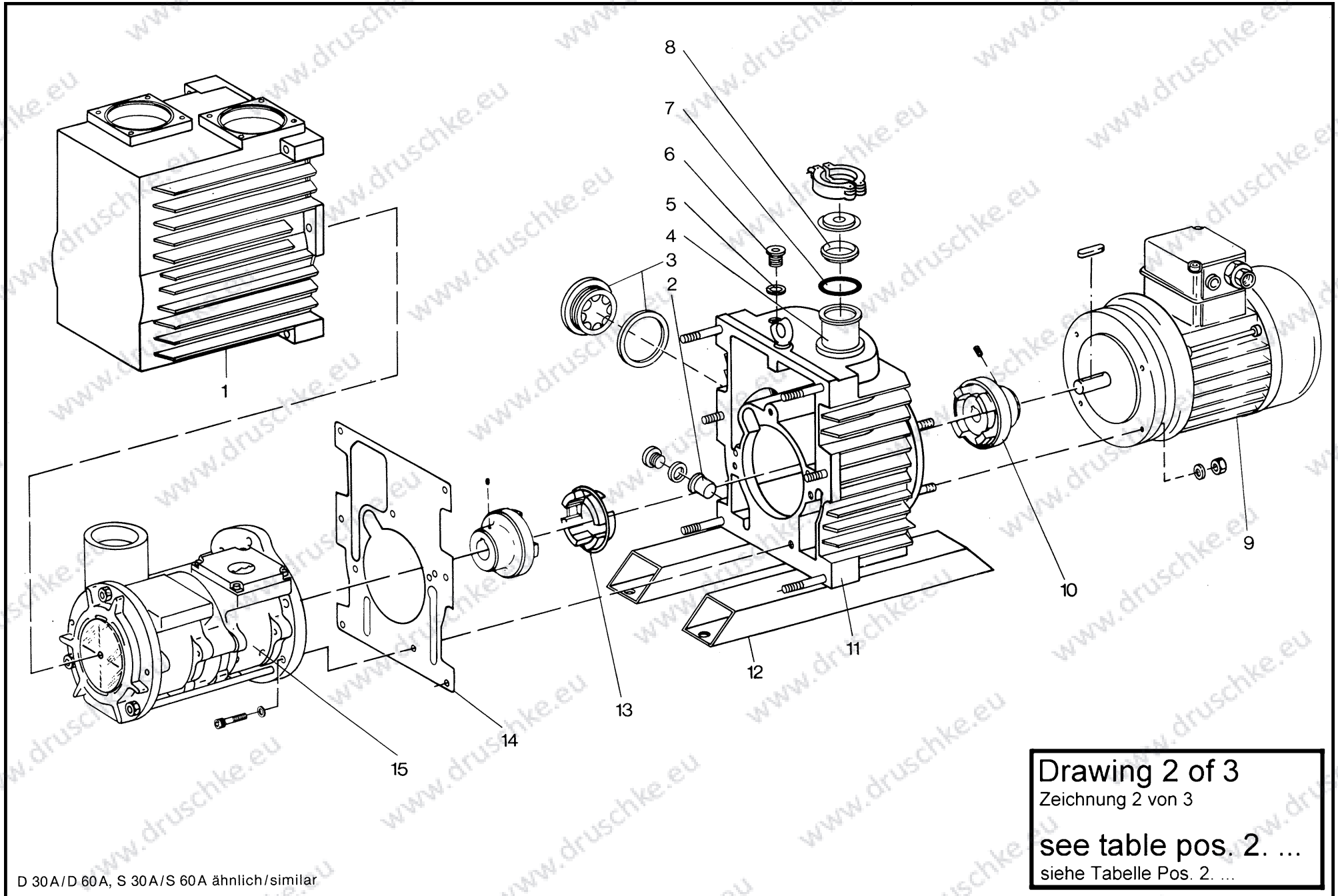




We reserve the right of alteration of technical data. Illustrations are not binding.

Spare Parts – Made in Germany – produced by Druschke GmbH

# Sparte parts



D 30A/D 60A, S 30A/S 60A ähnlich/similar

**Drawing 2 of 3**  
Zeichnung 2 von 3  
**see table pos. 2. ...**  
siehe Tabelle Pos. 2. ...

We reserve the right of alteration of technical data. Illustrations are not binding.

Spare Parts – Made in Germany – produced by Druschke GmbH

