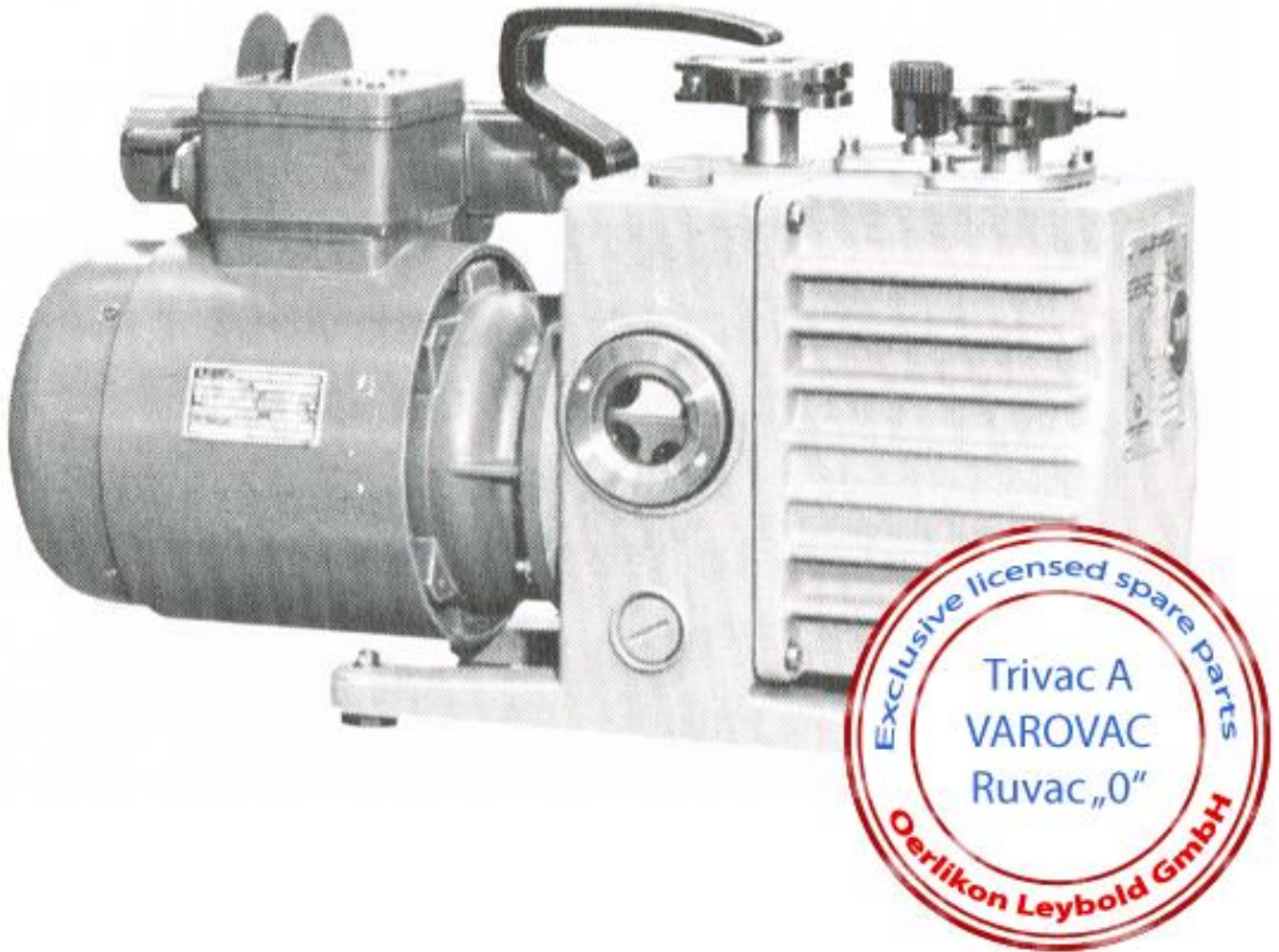


Trivac D4A

DRUSCHKE
VACUUMSERVICE

Spare parts for



Leybold Trivac D4 A

Example image - appearance can vary
Beispielbild - Aussehen kann variieren

www.druschke.eu

 **VACUUMSERVICE**

 **MAINTENANCE TRAINING CENTRE**

 **MANUFACTURING OF
SEALING COMPONENTS**

Sparte parts

Item	Description	Qty.	Unit	Order number	Package 1	Package 2	Note
1.1	Flat gasket	1	Stk	23820147	✓	✓	
1.2	O-ring	1	Stk	E23970410	✓	✓	
1.3	Intake tube	1	Stk	43360118			
1.4	Dirt trab	1	Stk	41170123			
1.4	Dirt trab	1	Stk	E41170122			
1.5	O-ring	1	Stk	23970176			
1.6	Strengthening piece	1	Stk	45174425			
1.7	Spring	1	Stk	45174424		✓	
1.8	Flat gasket	1	Stk	23973133	✓	✓	
1.9	Cap	1	Stk	34975102			
1.10	Stiffener	1	Stk	22204104			
1.11	Non-return valve	1	Stk	35020126			
1.12	Gasballast valve housing	1	Stk	35167205			
1.13	O-ring	1	Stk	23970148	✓	✓	
1.14	Spring	1	Stk	22162144		✓	
1.15	Flat gasket	1	Stk	23925227			
1.16	Filter	1	Stk	39026121		✓	
1.17	Flat gasket	1	Stk	23820147	✓	✓	
2.1	Oil casing	1	Stk	33372118			
2.2	Flat gasket	1	Stk	23955165	✓	✓	
2.3	Drain plug	1	Stk	20127105	✓	✓	
2.4	Oil level glass	1	Stk	52040124			
2.5	Flat gasket	1	Stk	23955172	✓	✓	
2.6	Flat gasket	1	Stk	23955165	✓	✓	
2.7	Drain plug	1	Stk	20127105	✓	✓	
2.8	Exhaust port	1	Stk	43360113			
2.9	O-ring	1	Stk	23970176			
2.10	Center ring	1	Stk	23193111			
2.10	Centering ring DN 16 FPM/Al	1	Stk	18206			
2.11	DC-Motor 3 phase	1	Stk	38066311			
2.11	DS-Motor 3 phase with motor safety switch	1	Stk	38066315			
2.11	AC-Motor 1 phase	1	Stk	38066328			
2.12	Handle	1	Stk	28302106			
2.13	Coupling compl.	1	Stk	57042128			
2.14	Coupling housing	1	Stk	33358115			
2.15	Rubber foot	4	Stk	27980308			
2.16	Elastic element	1	Stk	70100147	✓	✓	
2.17	Centrifugal switch	1	Stk	50036123			
2.18	Seal	1	Stk	20010724	✓	✓	
2.19	Cylinder assembly	1	Stk	10167B2			
3.1	Hex nut	3	Stk	21101312			
3.2	Washer	1	Stk	45174335			
3.3	Cylin.drical pin	2	Stk	24103585			
3.4	Rear end plate	1	Stk	35155131			

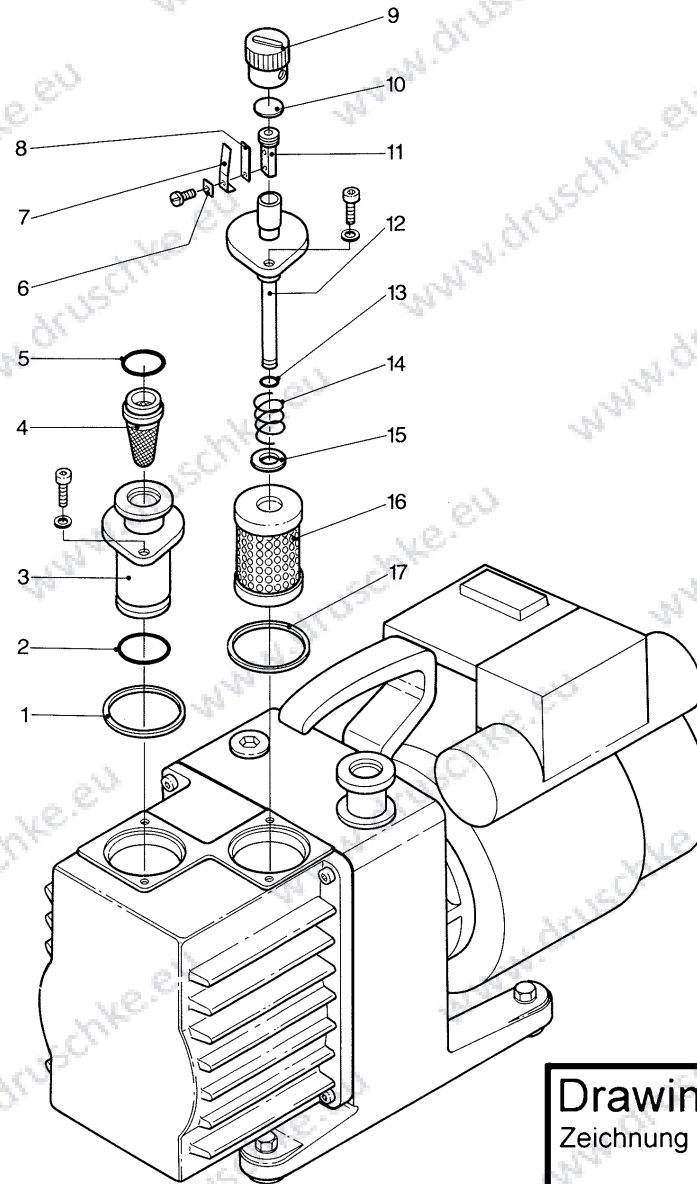
We reserve the right of alteration of technical data. Illustrations are not binding.

Sparte parts

Item	Description	Qty.	Unit	Order number	Package 1	Package 2	Note
3.5	Threaded stud	3	Stk	20152103			
3.6	Radial shaft seal	1	Stk	23953124	✓	✓	
3.7	Vane	3	Stk	41155113		✓	
3.8	Rotor	1	Stk	32166125			
3.9	O-ring	2	Stk	23970409	✓	✓	
3.10	Pump cylinder HV-stage	1	Stk	23165116			
3.11	Retaining bracket	1	Stk	49160109			
3.12	Piston	1	Stk	32106130			
3.13	Valve plate	1	Stk	40050136	✓	✓	
3.14	Valve plate	1	Stk	40050135	✓	✓	
3.15	Center bearing	1	Stk	26151132			
3.16	Cylindrical pin	2	Stk	24103590			
3.17	Rotor with shaft compl.	1	Stk	48121243			
3.18	Key	1	Stk	22116070			
3.19	Vane	3	Stk	41155112		✓	
3.20	Key	1	Stk	22116065			
3.21	Valve stop	1	Stk	37358103			
3.22	Valve plate	1	Stk	40164109		✓	
3.23	Air inlet	1	Stk	43131161			
3.24	Retainer disk	1	Stk	23105107			
3.25	Gasket	1	Stk	23973131	✓	✓	
3.26	Retainer ring	1	Stk	ES23103101			
3.27	Lever	1	Stk	28153130			
3.28	Spring	1	Stk	22161199		✓	
3.29	Radial shaft seal	1	Stk	23953124	✓	✓	
3.30	Front end plate	1	Stk	30151138			
3.31	O-ring	2	Stk	23970148	✓	✓	
3.32	O-ring	2	Stk	23970409	✓	✓	
3.33	Cylindrical pin	2	Stk	24103585			
3.34	Pump cylinder forestage	1	Stk	23158117			
3.35	Nozzle	1	Stk	20011393			

We reserve the right of alteration of technical data. Illustrations are not binding.

Sparte parts



D 1 A; S 2 A, S 4 A, D 4 A ähnlich/similar

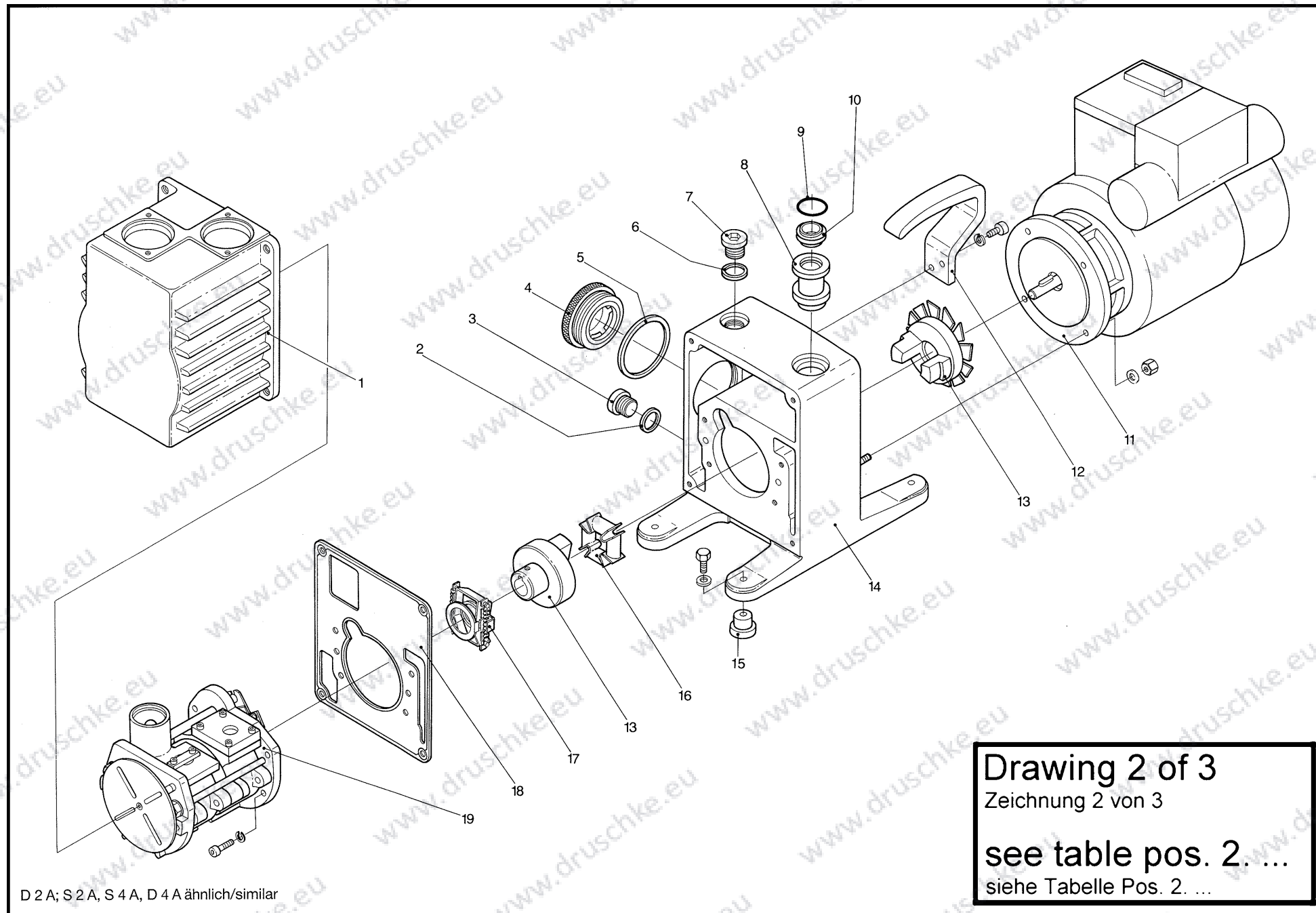
Drawing 1 of 3

Zeichnung 1 von 3

see table pos. 1. ...

siehe Tabelle Pos. 1. ...

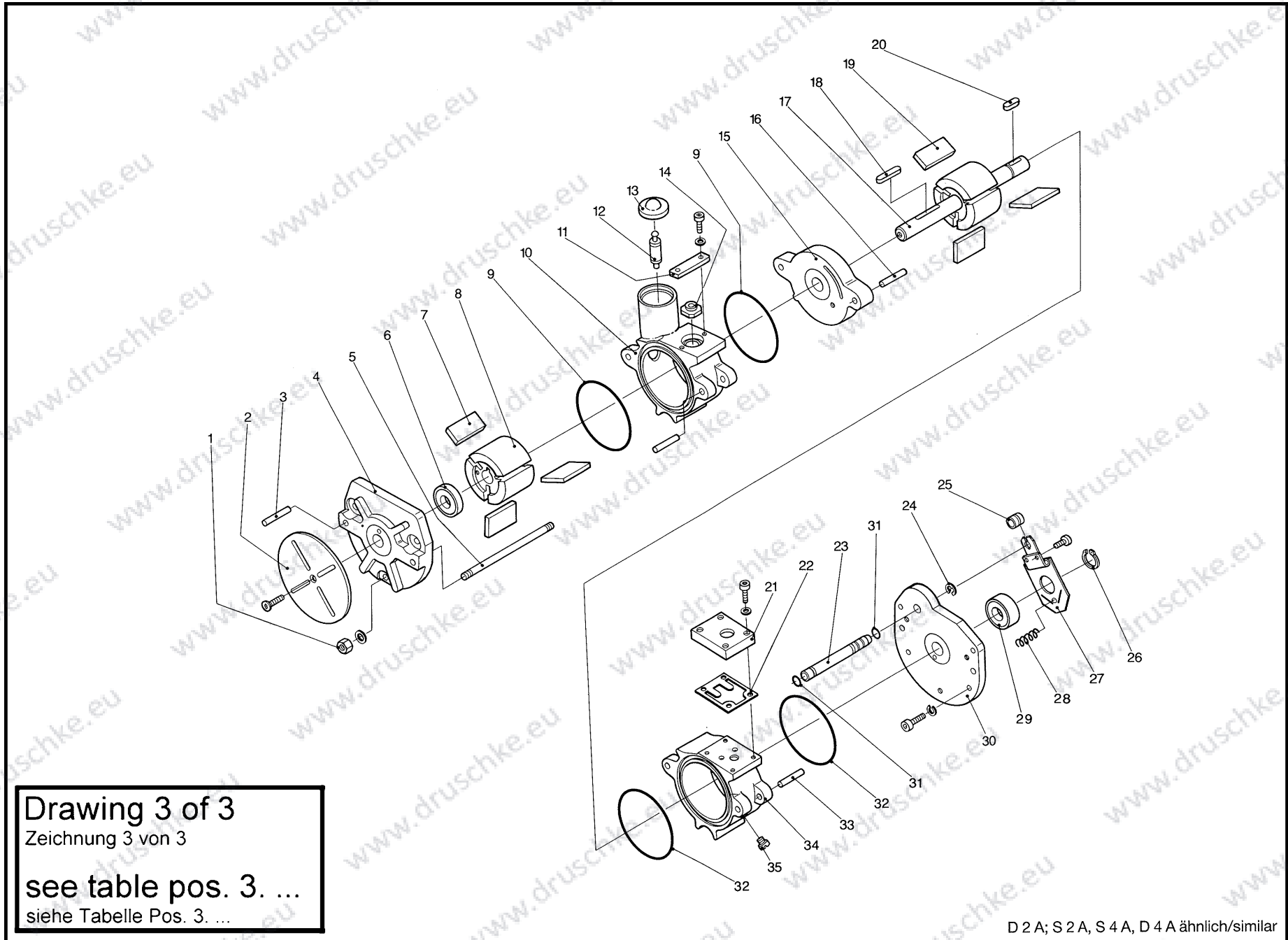
Sparte parts



Drawing 2 of 3
Zeichnung 2 von 3
see table pos. 2. ...
siehe Tabelle Pos. 2. ...

D 2 A; S 2 A, S 4 A, D 4 A ähnlich/similar

Sparte parts



Drawing 3 of 3
Zeichnung 3 von 3
see table pos. 3. ...
siehe Tabelle Pos. 3. ...

D 2 A; S 2 A, S 4 A, D 4 A ähnlich/similar