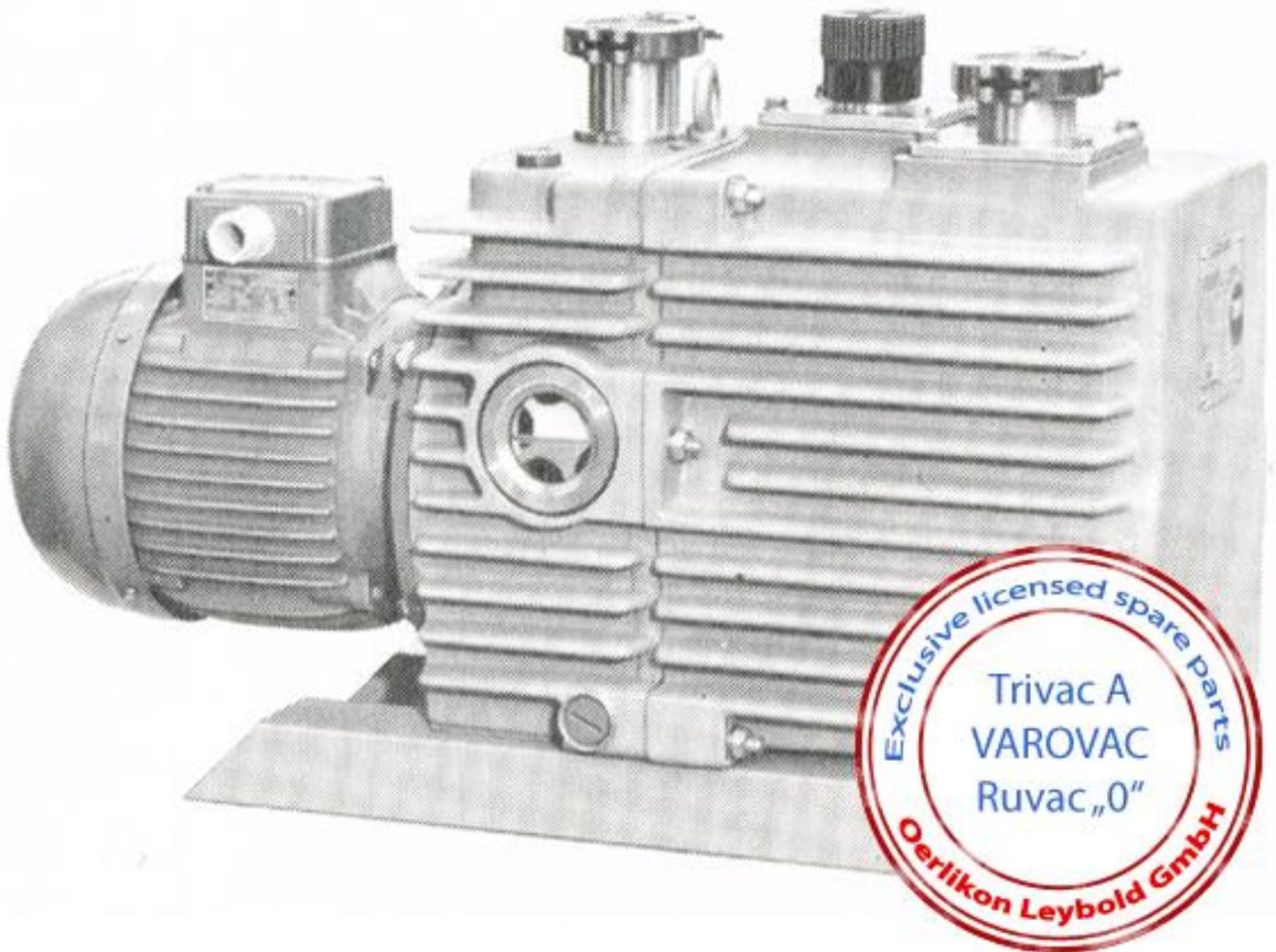


Trivac D60A

DRUSCHKE
VACUUMSERVICE

Spare parts for



Leybold Trivac D60 A

Example image - appearance can vary
Beispielbild - Aussehen kann variieren

www.druschke.eu

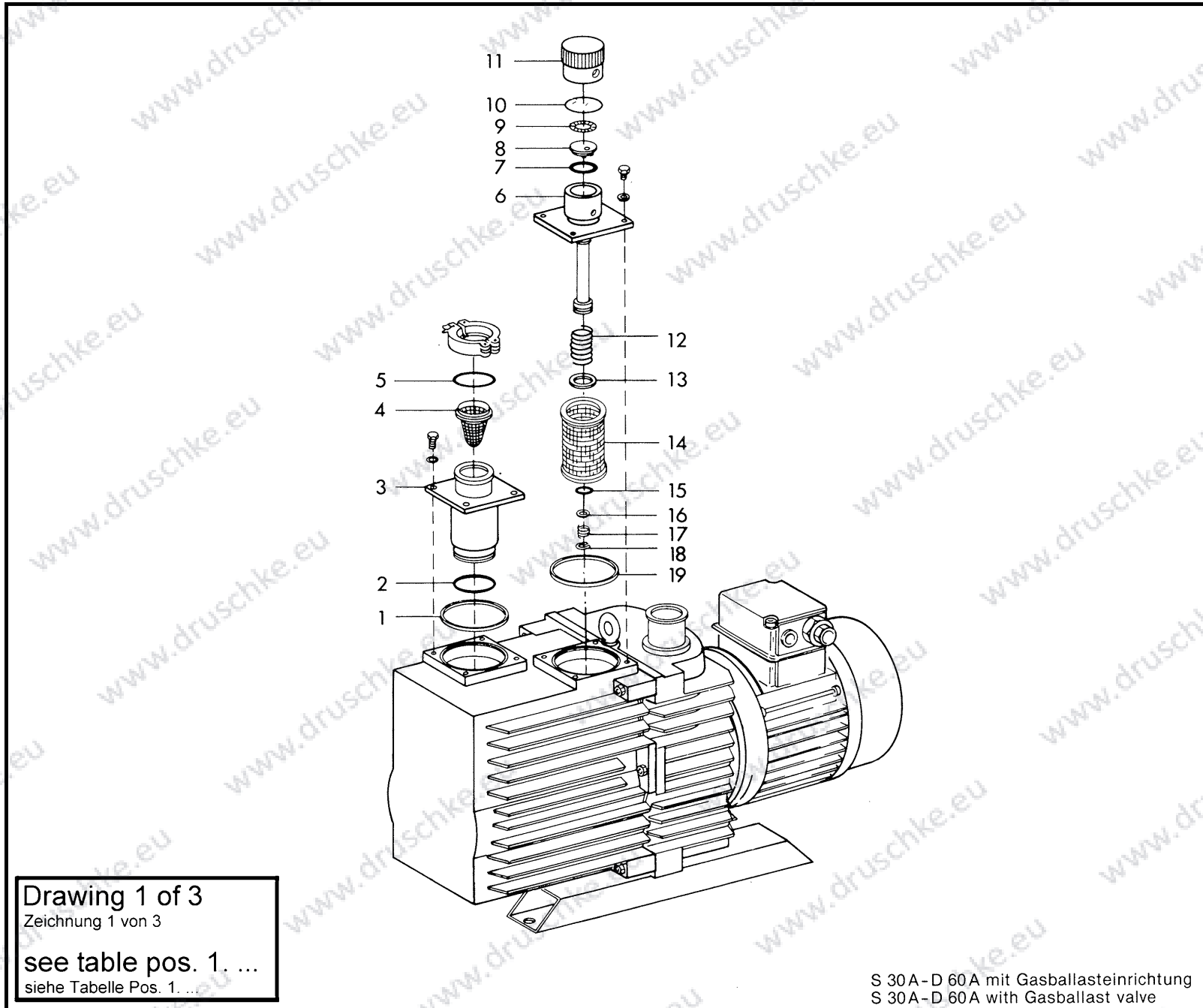
 **VACUUMSERVICE**

 **MAINTENANCE TRAINING CENTRE**

 **MANUFACTURING OF
SEALING COMPONENTS**

Sparte parts

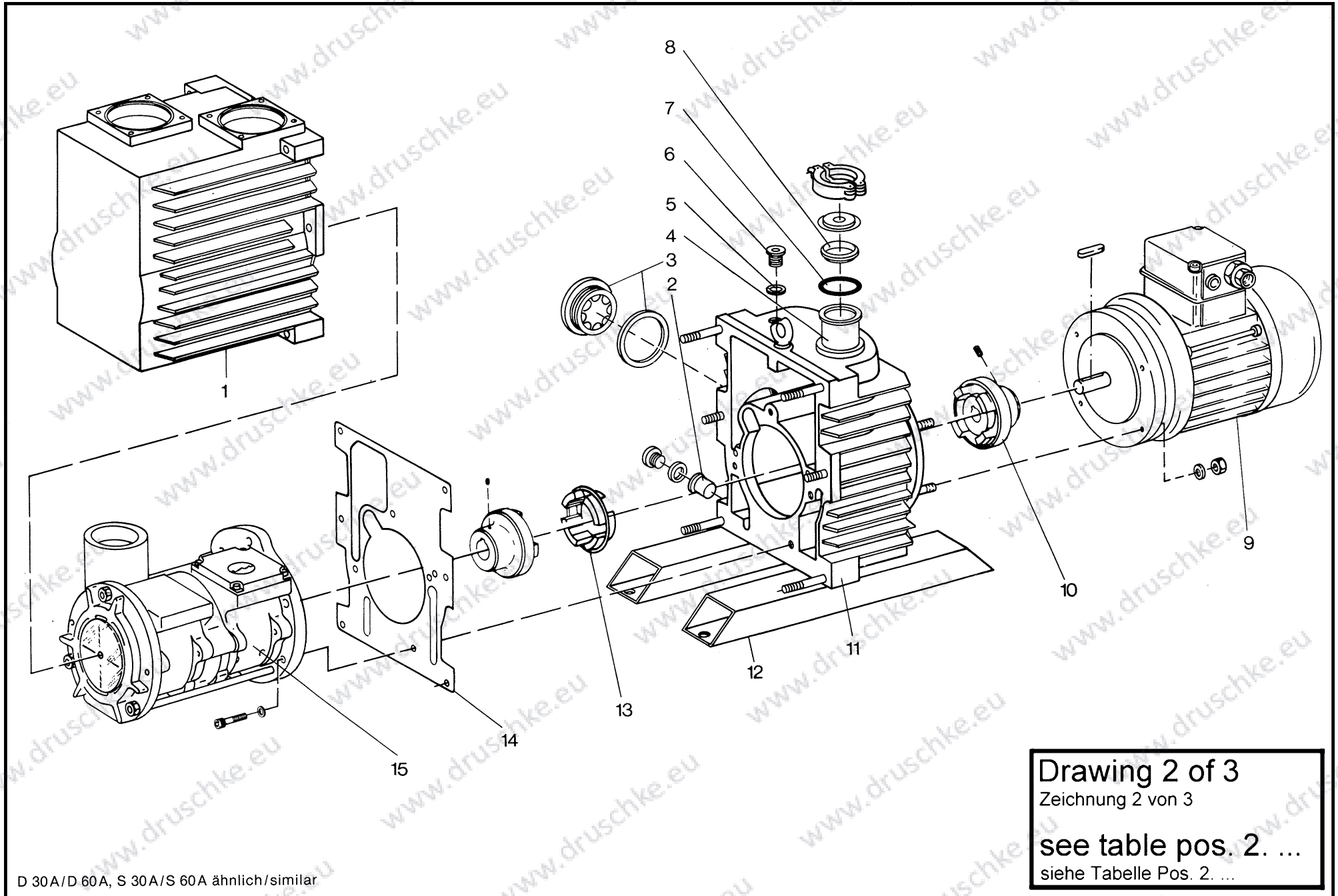
Item	Description	Qty.	Unit	Order number	Package 1	Package 2	Note
1.1	Flat gasket	1	Stk	23820158	✓	✓	
1.2	O-ring	1	Stk	23970304	✓	✓	
1.3	Intake tube	1	Stk	43165116			
1.4	Dirt trab	1	Stk	E41170121			
1.4	Dirt trab	1	Stk	41170203			
1.5	O-ring	1	Stk	23970516			
1.6	Gasballast valve housing	1	Stk	35167207			
1.7	O-ring	1	Stk	23970436	✓	✓	
1.8	Valve	1	Stk	35020158		✓	
1.9	Retaining washer	1	Stk	22149207			
1.10	Stifening disk	1	Stk	22204107			
1.11	Cap	1	Stk	34975105			
1.12	Spring	1	Stk	22162142		✓	
1.13	Flat gasket	1	Stk	23925225	✓	✓	
1.14	Oil separator compl.	1	Stk	41112108			
1.15	O-ring	1	Stk	23970147	✓	✓	
1.16	Valve plate	1	Stk	40164117			
1.17	Spring	1	Stk	22162140		✓	
1.18	Retainer ring	1	Stk	23104104			
1.19	Flat gasket	1	Stk	23820158	✓	✓	
2.1	Oil casing	1	Stk	33372124			
2.2	Pipe socket	1	Stk	43131137			
2.3	Oil level glass	1	Stk	52040125			
2.3	Flat gasket	1	Stk	23955171			
2.4	Exhaust tube	1	Stk	43360115			
2.5	Flat gasket	2	Stk	23955165	✓	✓	
2.6	Drain plug	2	Stk	20127105	✓	✓	
2.7	O-ring	1	Stk	23970516			
2.8	Centering ring	1	Stk	23194207			
2.8	Center ring	1	Stk	23193113			
2.9	AC-Motor 3 phase	1	Stk	38066309			
2.9a	Backstop	1	Stk	02X75114			
2.9b	Backstop	1	Stk	70100337			
2.9C	Backstop	1	Stk	02X75495			
2.10	Coupling compl.	1	Stk	57042112			
2.11	Coupling housing	1	Stk	33155139			
2.12	Food	2	Stk	46175107			
2.13	Elastic element	1	Stk	70100196	✓	✓	
2.14	Gasket	1	Stk	23811142	✓	✓	
2.15	Cylinder assembly	1	Stk	10171			
3.1	Washer	1	Stk	45174335			
3.2	Nut	3	Stk	21101314			
3.3	Rear end plate	1	Stk	35155132			
3.4	Cylindrical pin	2	Stk	24103586			



Drawing 1 of 3
Zeichnung 1 von 3
see table pos. 1. ...
siehe Tabelle Pos. 1. ...

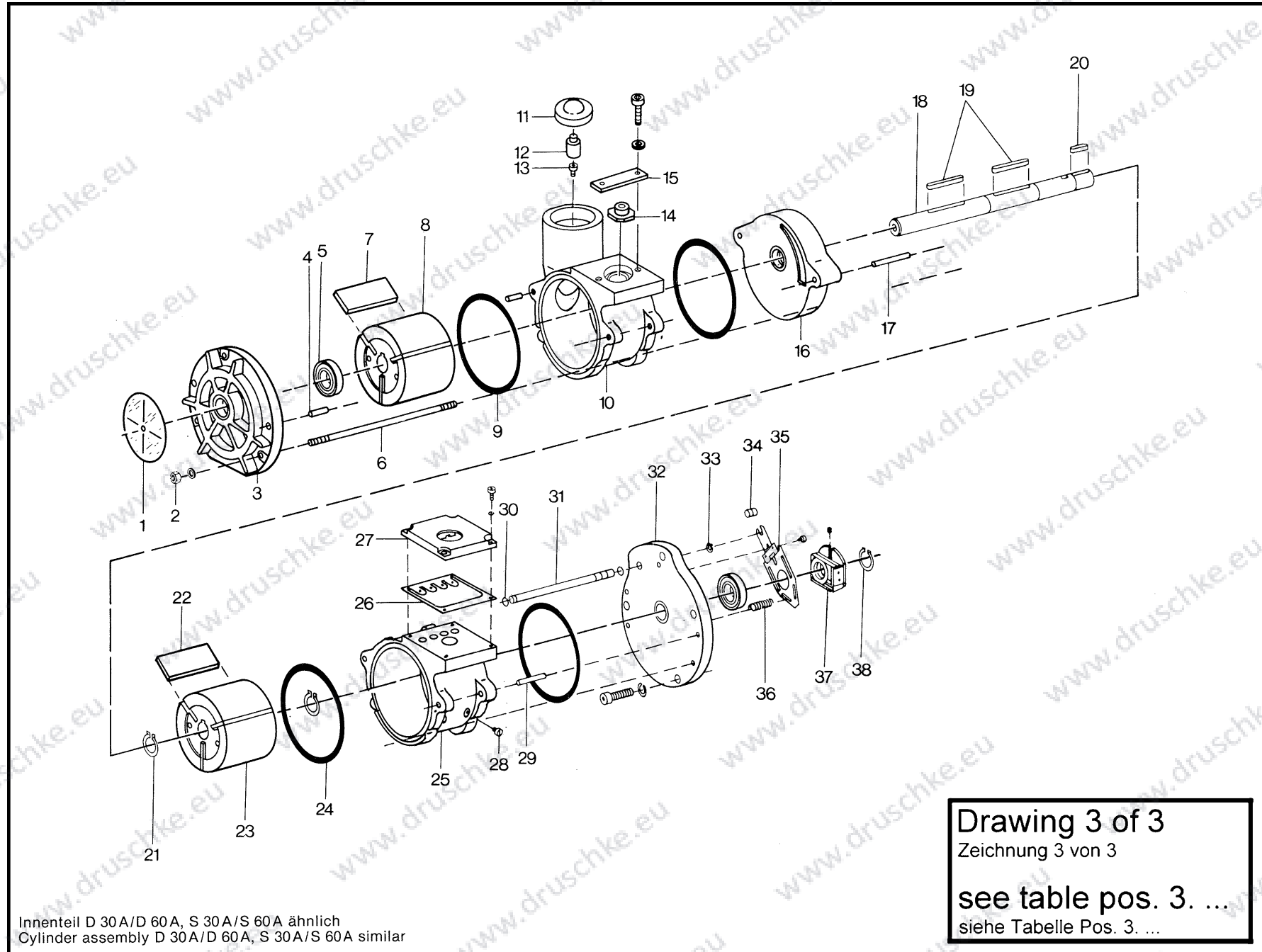
S 30A-D 60A mit Gasballasteinrichtung
S 30A-D 60A with Gasballast valve

Sparte parts



D 30A/D 60A, S 30A/S 60A ähnlich/similar

Drawing 2 of 3
Zeichnung 2 von 3
see table pos. 2. ...
siehe Tabelle Pos. 2. ...



Innenteil D 30A/D 60A, S 30A/S 60A ähnlich
 Cylinder assembly D 30A/D 60A, S 30A/S 60A similar

Drawing 3 of 3
 Zeichnung 3 von 3
 see table pos. 3. ...
 siehe Tabelle Pos. 3. ...