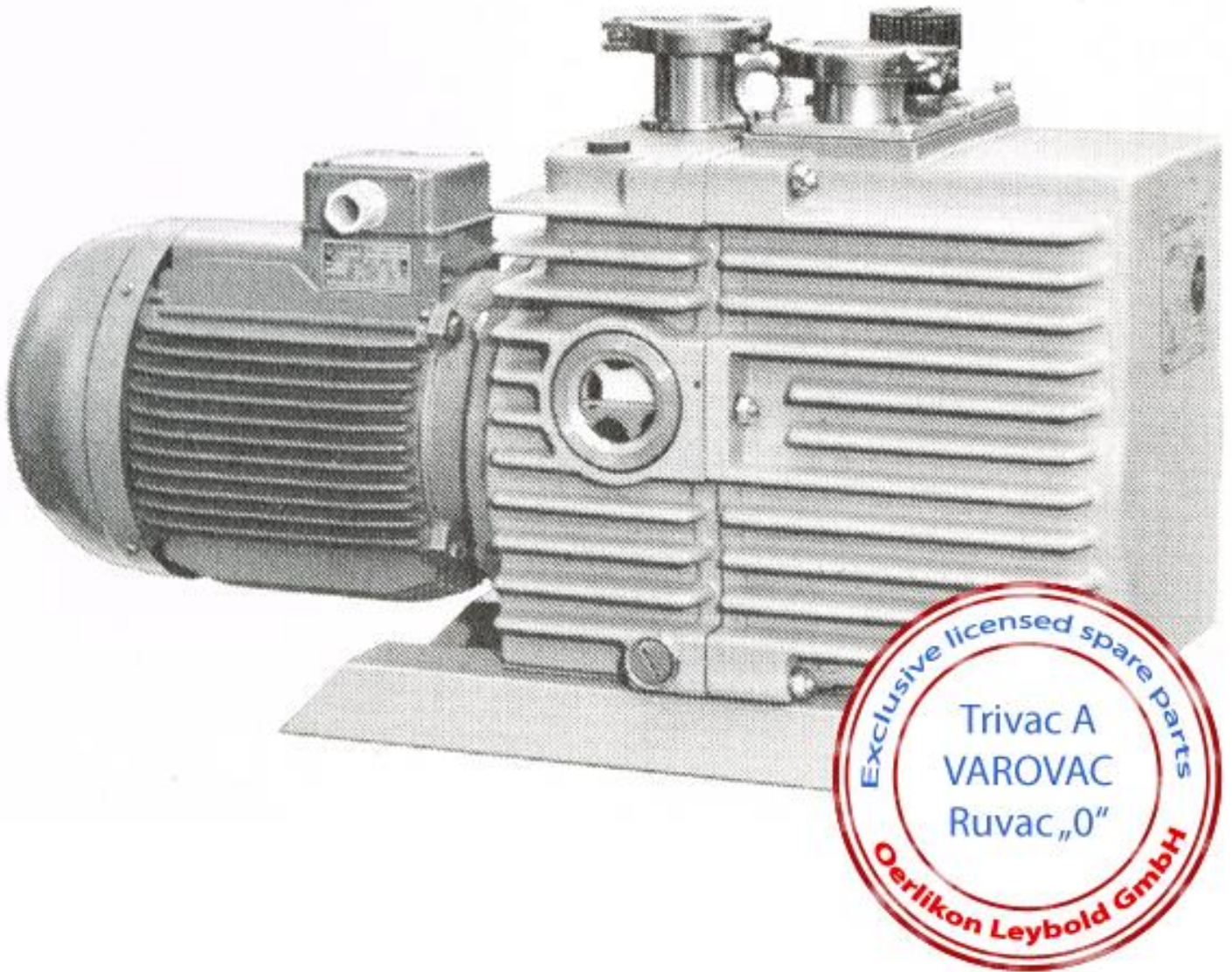


Trivac S60A

DRUSCHKE
VACUUMSERVICE

Spare parts for



Leybold Trivac S60 A

Example image - appearance can vary
Beispielbild - Aussehen kann variieren

www.druschke.eu

 **VACUUMSERVICE**

 **MAINTENANCE TRAINING CENTRE**

 **MANUFACTURING OF
SEALING COMPONENTS**

Sparte parts

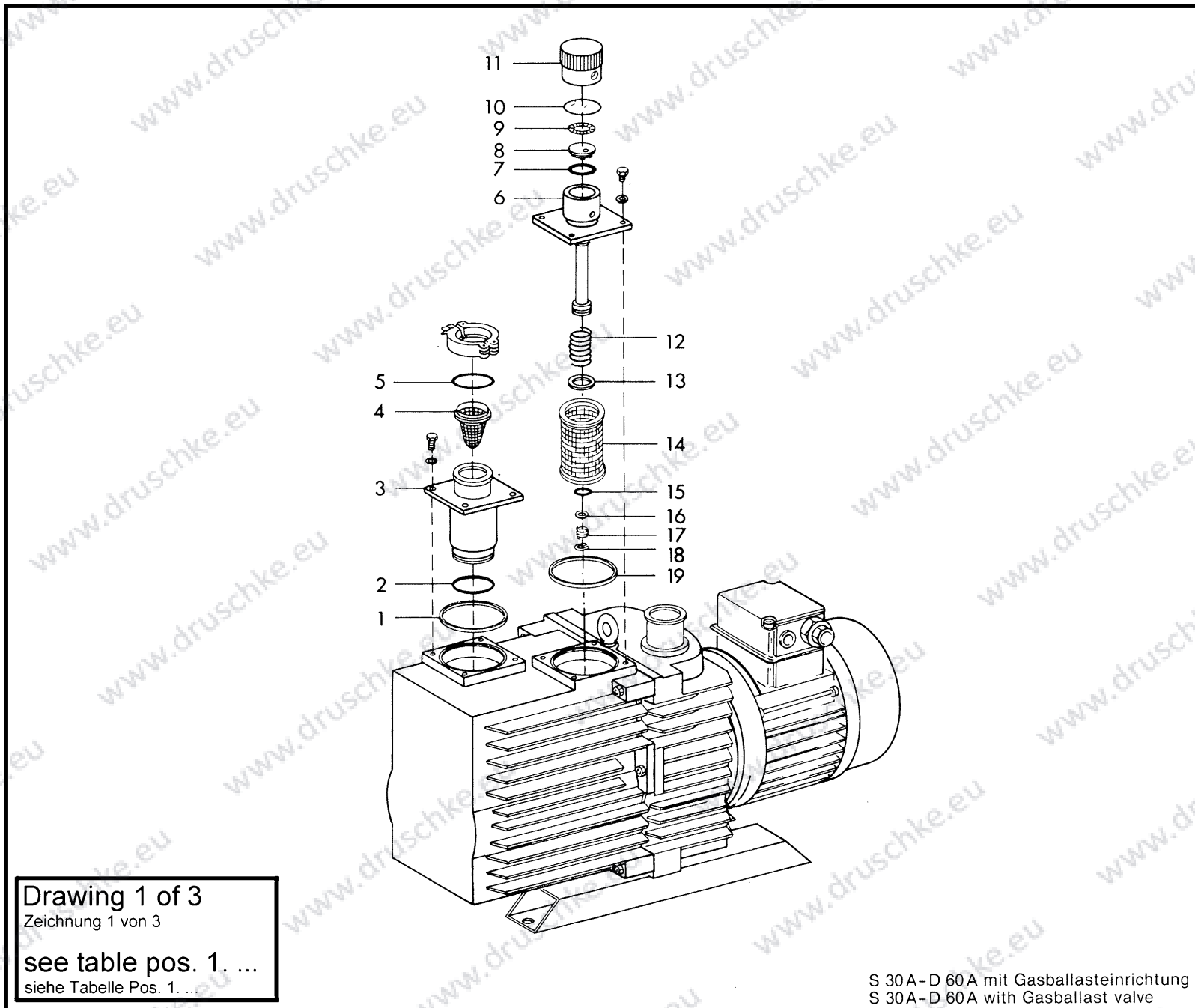
| Item | Description | Qty. | Unit | Order number | Package 1 | Package 2 | Note |
|------|--------------------------|------|------|--------------|-----------|-----------|------|
| 1.1 | Flat gasket | 1 | Stk | 23820158 | ✓ | ✓ | |
| 1.2 | O-ring | 1 | Stk | 23970304 | ✓ | ✓ | |
| 1.3 | Intake tube | 1 | Stk | 43165116 | | | |
| 1.4 | Dirt trab | 1 | Stk | E41170121 | | | |
| 1.4 | Dirt trab | 1 | Stk | 41170203 | | | |
| 1.5 | O-ring | 1 | Stk | 23970516 | | | |
| 1.6 | Gasballast valve housing | 1 | Stk | 35167207 | | | |
| 1.7 | O-ring | 1 | Stk | 23970436 | ✓ | ✓ | |
| 1.8 | Valve | 1 | Stk | 35020158 | | ✓ | |
| 1.9 | Retaining washer | 1 | Stk | 22149207 | | | |
| 1.10 | Stifening disk | 1 | Stk | 22204107 | | | |
| 1.11 | Cap | 1 | Stk | 34975105 | | | |
| 1.12 | Spring | 1 | Stk | 22162142 | | ✓ | |
| 1.13 | Flat gasket | 1 | Stk | 23925225 | ✓ | ✓ | |
| 1.14 | Oil separator compl. | 1 | Stk | 41112108 | | | |
| 1.15 | O-ring | 1 | Stk | 23970147 | ✓ | ✓ | |
| 1.16 | Valve plate | 1 | Stk | 40164117 | | ✓ | |
| 1.17 | Spring | 1 | Stk | 22162140 | | ✓ | |
| 1.18 | Retainer ring | 1 | Stk | 23104104 | | | |
| 1.19 | Flat gasket | 1 | Stk | 23820158 | ✓ | ✓ | |
| 2.1 | Oil casing | 1 | Stk | 33372122 | | | |
| 2.2 | Pipe socket | 1 | Stk | 43131137 | | | |
| 2.3 | Oil level glass | 1 | Stk | 52040125 | | | |
| 2.3 | Flat gasket | 1 | Stk | 23955171 | | | |
| 2.4 | Exhaust tube | 1 | Stk | 43360115 | | | |
| 2.5 | Flat gasket | 2 | Stk | 23955165 | ✓ | ✓ | |
| 2.6 | Drain plug | 2 | Stk | 20127105 | ✓ | ✓ | |
| 2.7 | O-ring | 1 | Stk | 23970516 | | | |
| 2.8 | Centering ring | 1 | Stk | 23194207 | | | |
| 2.8 | Center ring | 1 | Stk | 23193113 | | | |
| 2.9 | AC-Motor 3 phase | 1 | Stk | 38066309 | | | |
| 2.9a | Backstop | 1 | Stk | 02X75114 | | | |
| 2.9b | Backstop | 1 | Stk | 70100337 | | | |
| 2.9C | Backstop | 1 | Stk | 02X75495 | | | |
| 2.10 | Coupling compl. | 1 | Stk | 57042112 | | | |
| 2.11 | Coupling housing | 1 | Stk | 33155139 | | | |
| 2.12 | Food | 2 | Stk | 46175107 | | | |
| 2.13 | Elastic element | 1 | Stk | 70100196 | ✓ | ✓ | |
| 2.14 | Gasket | 1 | Stk | 23811142 | ✓ | ✓ | |
| 2.15 | Cylinder assembly | 1 | Stk | 10165 | | | |
| 3.2 | Nut | 3 | Stk | 21101314 | | | |
| 3.3 | Rear end plate | 1 | Stk | 35155132 | | | |
| 3.4 | Cylindrical pin | 2 | Stk | 24103586 | | | |
| 3.5 | Radial shaft seal | 2 | Stk | 23953110 | ✓ | ✓ | |

We reserve the right of alteration of technical data. Illustrations are not binding.

Sparte parts

| Item | Description | Qty. | Unit | Order number | Package 1 | Package 2 | Note |
|------|-----------------------|------|------|--------------|-----------|-----------|------|
| 3.6 | Threaded stud | 3 | Stk | 20152107 | | | |
| 3.11 | Valve plate | 1 | Stk | 40050137 | ✓ | ✓ | |
| 3.12 | Piston | 1 | Stk | 32106131 | | | |
| 3.13 | Nozzle | 1 | Stk | 39225204 | | | |
| 3.18 | Shaft | 1 | Stk | 40157295 | | | |
| 3.19 | Key | 1 | Stk | 22116188 | | | |
| 3.20 | Key | 1 | Stk | 22116179 | | | |
| 3.21 | Retainer ring | 2 | Stk | 23103111 | | | |
| 3.22 | Vane | 3 | Stk | 20010846 | | ✓ | |
| 3.23 | Rotor | 1 | Stk | 32166120 | | | |
| 3.24 | O-ring | 2 | Stk | E23970411 | ✓ | ✓ | |
| 3.25 | Pump cylinder | 1 | Stk | 23158121 | | | |
| 3.26 | Valve plate | 1 | Stk | 40164113 | | ✓ | |
| 3.27 | Valve stop | 1 | Stk | 37358105 | | | |
| 3.28 | Nozzle | 2 | Stk | 39225125 | | | |
| 3.29 | Cylindrical pin | 2 | Stk | 24103590 | | | |
| 3.30 | O-ring | 2 | Stk | 23970148 | ✓ | ✓ | |
| 3.31 | Air inlet | 1 | Stk | 43131175 | | | |
| 3.32 | Front bearing | 1 | Stk | 30151140 | | | |
| 3.33 | Retaining disk | 1 | Stk | 23105108 | | | |
| 3.34 | Gasket | 1 | Stk | 23973131 | ✓ | ✓ | |
| 3.35 | Lever compl. | 1 | Stk | 28153101 | | | |
| 3.36 | Spring | 1 | Stk | 22162141 | | ✓ | |
| 3.37 | Centrifugal switch | 1 | Stk | 50036147 | | | |
| 3.38 | Retainer ring | 1 | Stk | 23103111 | | | |
| 3.39 | Rotor w. shaft compl. | 1 | Stk | 48121234 | | | |
| | | | | | | | |
| | | | | | | | |
| | | | | | | | |
| | | | | | | | |
| | | | | | | | |
| | | | | | | | |
| | | | | | | | |
| | | | | | | | |
| | | | | | | | |
| | | | | | | | |
| | | | | | | | |
| | | | | | | | |
| | | | | | | | |
| | | | | | | | |
| | | | | | | | |
| | | | | | | | |
| | | | | | | | |
| | | | | | | | |
| | | | | | | | |
| | | | | | | | |
| | | | | | | | |
| | | | | | | | |
| | | | | | | | |
| | | | | | | | |
| | | | | | | | |
| | | | | | | | |
| | | | | | | | |
| | | | | | | | |

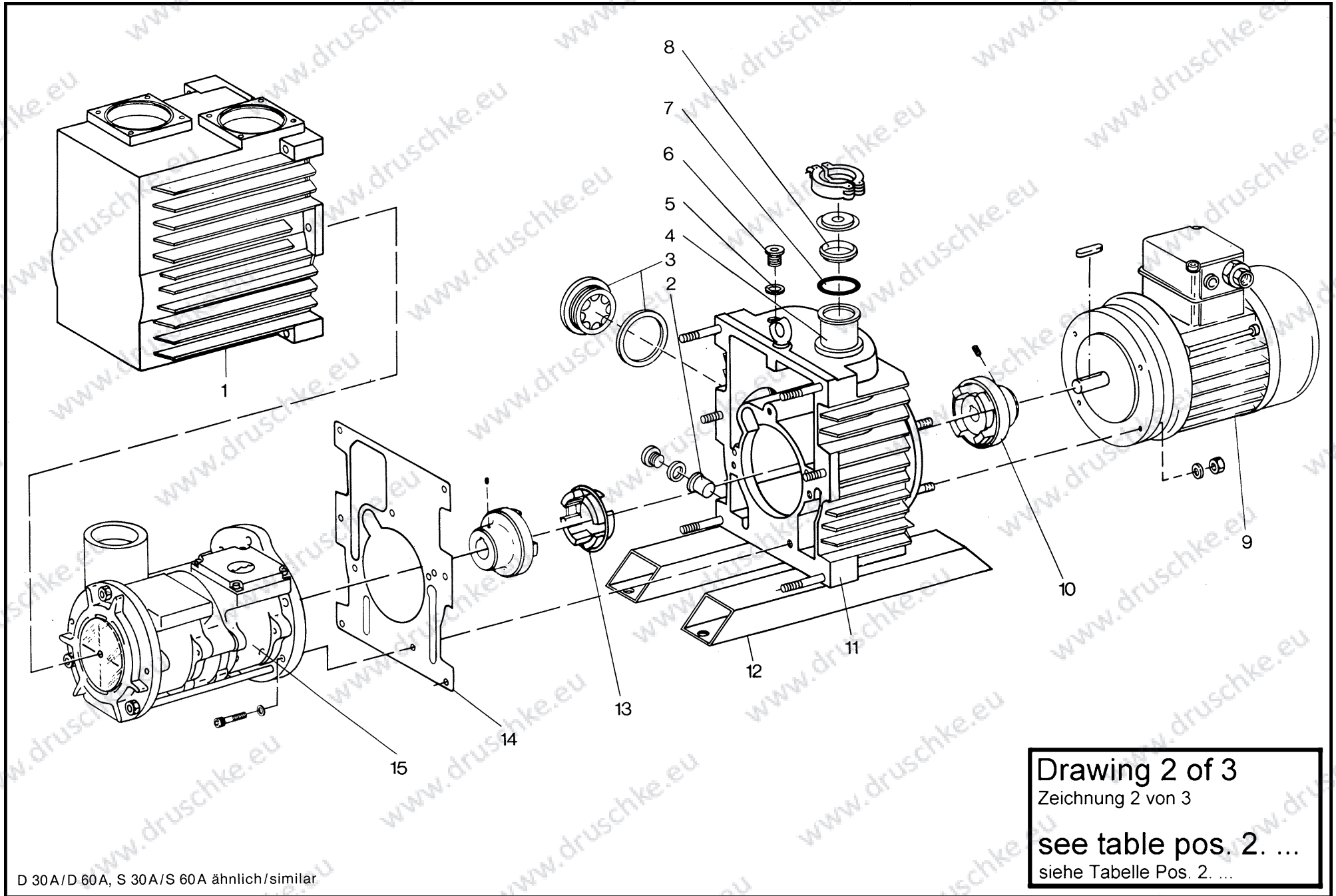
We reserve the right of alteration of technical data. Illustrations are not binding.



We reserve the right of alteration of technical data. Illustrations are not binding.

Spare Parts – Made in Germany – produced by Druschke GmbH

Sparte parts



D 30A/D 60A, S 30A/S 60A ähnlich/similar

Drawing 2 of 3
Zeichnung 2 von 3
see table pos. 2. ...
siehe Tabelle Pos. 2. ...

We reserve the right of alteration of technical data. Illustrations are not binding.

Spare Parts – Made in Germany – produced by Druschke GmbH

