

Spare parts for



Leybold Trivac D1,6 B

Example image - appearance can vary
Beispielbild - Aussehen kann variieren

www.druschke.eu

Spare parts

Item	Description	Qty.	Unit	Order number	Package 1	Package 2	Note
	Vacuum pump oil N62/1	0,25	Ltr.	N62/1			
1.1	Drain plug	2	Stk	20127105		✓	
1.2	Flat gasket	2	Stk	23955165	✓	✓	
1.3	Housing cover	1	Stk	20009263			
1.4	Gasket	1	Stk	20010748	✓	✓	
1.5	Centering ring DN 16 FPM/Al	1	Stk	18206			
1.6	AC-Motor 1 phase	1	Stk	20009267			100V; 50/60 Hz
1.6	AC-Motor 1 phase	1	Stk	20009267			115V, 60 Hz
1.6	AC-Motor 1 phase	1	Stk	20009268			200V/208V; 60 Hz
1.6	AC-Motor 1 phase	1	Stk	20009269			220V/240V; 50 Hz
1.6	AC-Motor 1 phase	1	Stk	20009269			220V/240V; 60 Hz
1.7	Handle	1	Stk	20009297			
1.8	Coupling housing	1	Stk	20010277			
1.9	Foot	4	Stk	34861037		✓	
1.10	Reflector sheet	1	Stk	20009265		✓	
1.11	Oil level glas	1	Stk	20009264		✓	
1.12	Cylinder screw	4	Stk	20103221		✓	
1.13	Filter	1	Stk	20009355		✓	Old pump version
2.1	Radial shaft seal	1	Stk	23953006	✓	✓	
2.2	Coupling (pump)	1	Stk	20009357			
2.3	Toothed rim	1	Stk	20009358		✓	
2.4	Spring	1	Stk	22161208		✓	
2.5	Non return valve	1	Stk	20010350	✓	✓	
2.6	Plug seal	1	Stk	23973146	✓	✓	
2.7	Coupling housing	1	Stk	20010277			
2.8	Piston	1	Stk	20009253		✓	
2.9	Valve plate	1	Stk	E40159003	✓	✓	
2.10	O-ring	1	Stk	23970154	✓	✓	
2.11	Gasballast valve	1	Stk	20009337			
2.12	Cylinder screw	1	Stk	20103220		✓	
2.13	Lever gasballast	1	Stk	20009255		✓	
2.14	O-ring	2	Stk	23970436	✓	✓	
2.15	Cylinder screw	4	Stk	20103216		✓	
2.16	Connection port	2	Stk	20009277			
2.17	Dirt trab	1	Stk	E41170122			
2.18	O-ring	2	Stk	23970176	✓	✓	
2.19	Cylinder screw	4	Stk	20103102		✓	
2.20	Shoulder screw	1	Stk	20009351			
2.21	Magnet valve	1	Stk	20009270			
2.21	Magnet valve	1	Stk	20009271			
2.22	Threaded bushing	2	Stk	24251105			
2.23	Spring washer	1	Stk	20009352			

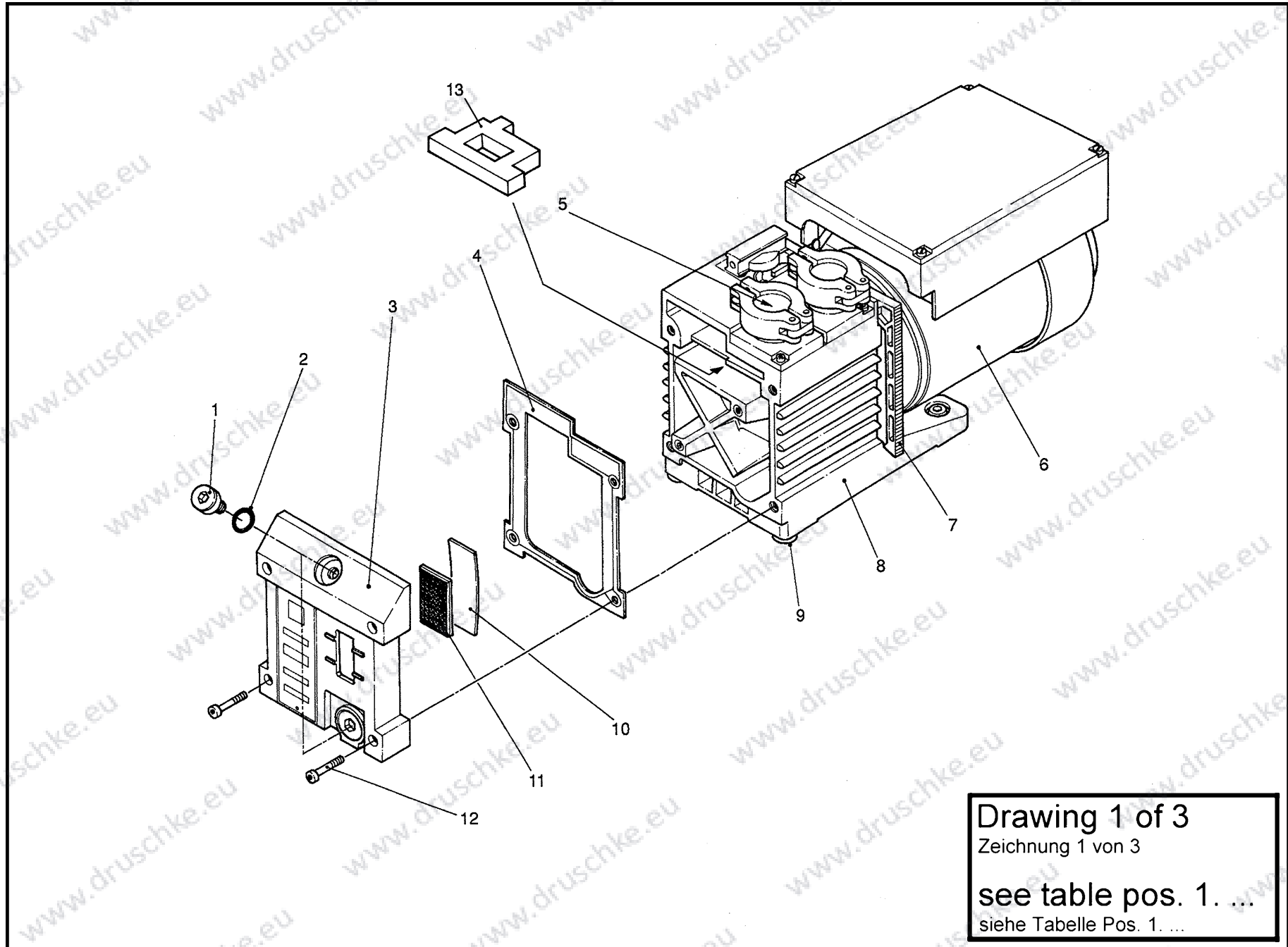
We reserve the right of alteration of technical data. Illustrations are not binding.

Spare parts

Item	Description	Qty.	Unit	Order number	Package 1	Package 2	Note
2.24	Handle	1	Stk	20009297			
2.25	Washer	1	Stk	22101203			
2.26	Coupling (Motor)	1	Stk	20010286			
2.27	Coupling compl.	1	Stk	20009273			
2.28	O-ring	1	Stk	23970016	✓	✓	
2.29	O-ring	1	Stk	20008108	✓	✓	
2.30	O-ring	1	Stk	23970108	✓	✓	
2.31	Seal from the inner part to the housing	1	Stk	20010749			Old pump version
2.32	Fan	1	Stk	20098108			
2.33	A side engine mount	1	Stk	10004379			
2.34	Capacitor 25µF 400V 50Hz	1	Stk	20098112			
2.34	Capacitor 16µF	1	Stk	20098111			
2.34	Capacitor 8µF 400V 50Hz	1	Stk	20098109			
2.35	A side engine mount	1	Stk	K9000529			
3.1	Cylinder screw	2	Stk	20009293		✓	
3.2	Rear end plate	1	Stk	20009284			
3.3	O-ring	1	Stk	20009515	✓	✓	
3.4	Vane	2	Stk	20010872		✓	
3.5	Rotor	1	Stk	20009288			
3.6	Cylindrical pin	2	Stk	20009292		✓	
3.7	Pump Cylinder HV-stage	1	Stk	20009280			
3.8	O-ring	1	Stk	20009362	✓	✓	
3.9	Vane	2	Stk	20010872		✓	
3.10	Rotor forestage	1	Stk	20009287			
3.11	Key	1	Stk	22116062		✓	
3.12	Pump cylinder forestage	1	Stk	20039219			
3.13	Valve plate	1	Stk	20009353		✓	
3.14	Valve stop	1	Stk	20009354		✓	
3.15	Cylinder screw	1	Stk	20103190		✓	
3.16	Nozzle GD	1	Stk	39350013		✓	
3.17	Radial shaft seal	1	Stk	23953006	✓	✓	

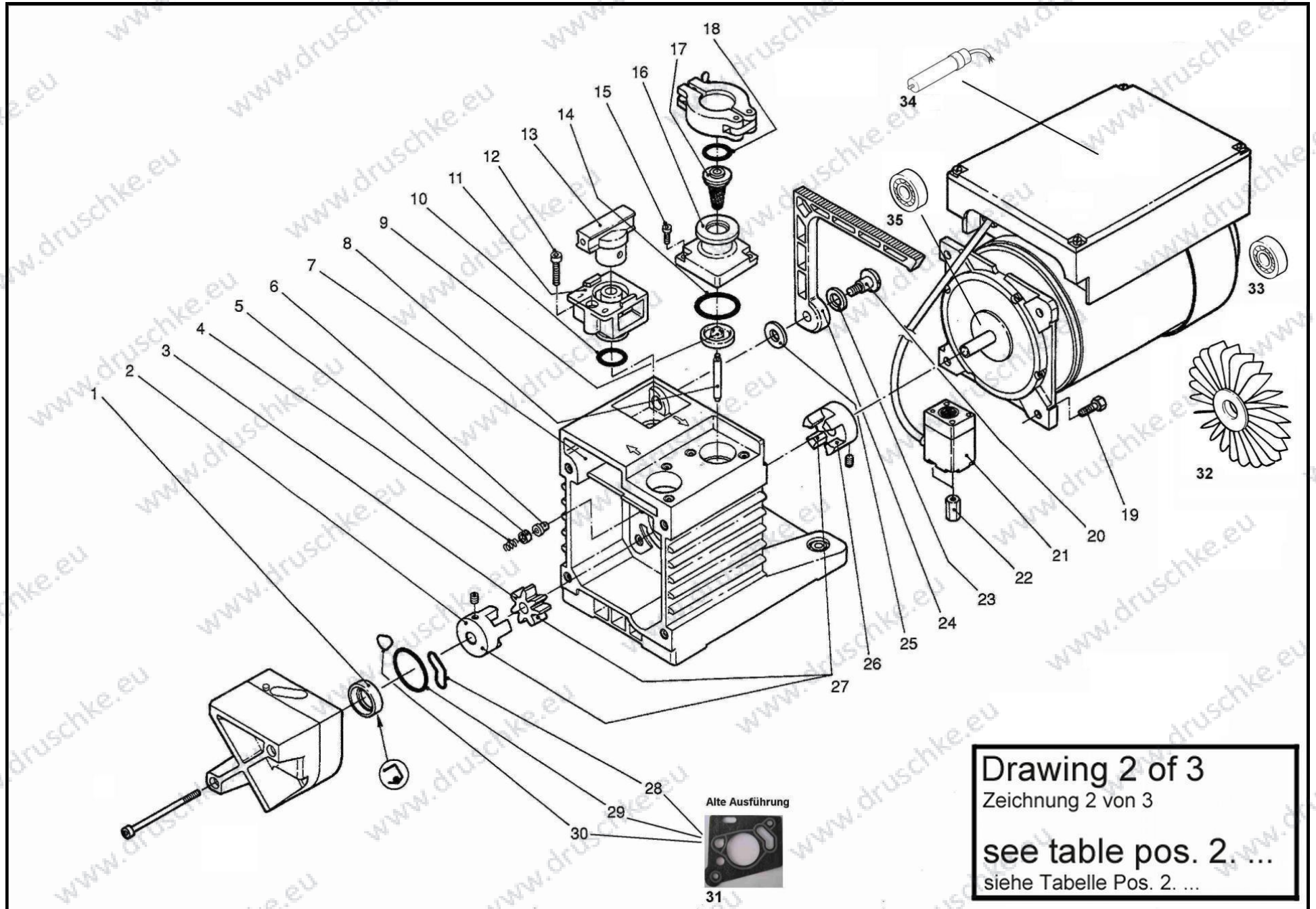
We reserve the right of alteration of technical data. Illustrations are not binding.

Spare parts



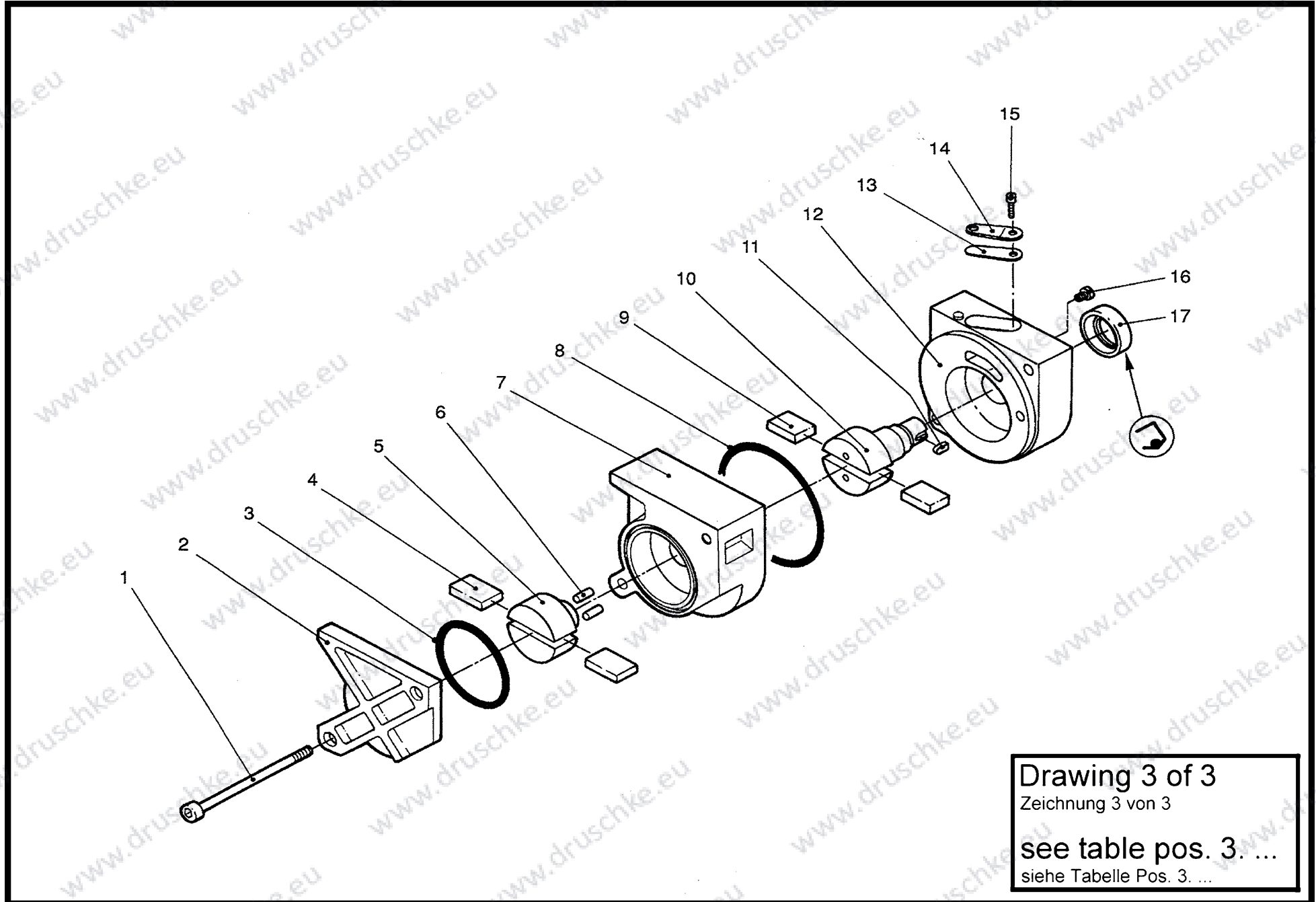
Drawing 1 of 3
Zeichnung 1 von 3
see table pos. 1.
siehe Tabelle Pos. 1.

Spare parts



We reserve the right of alteration of technical data. Illustrations are not binding.

Spare Parts – Made in Germany – produced by Druschke GmbH



Drawing 3 of 3
Zeichnung 3 von 3
see table pos. 3. ...
siehe Tabelle Pos. 3. ...