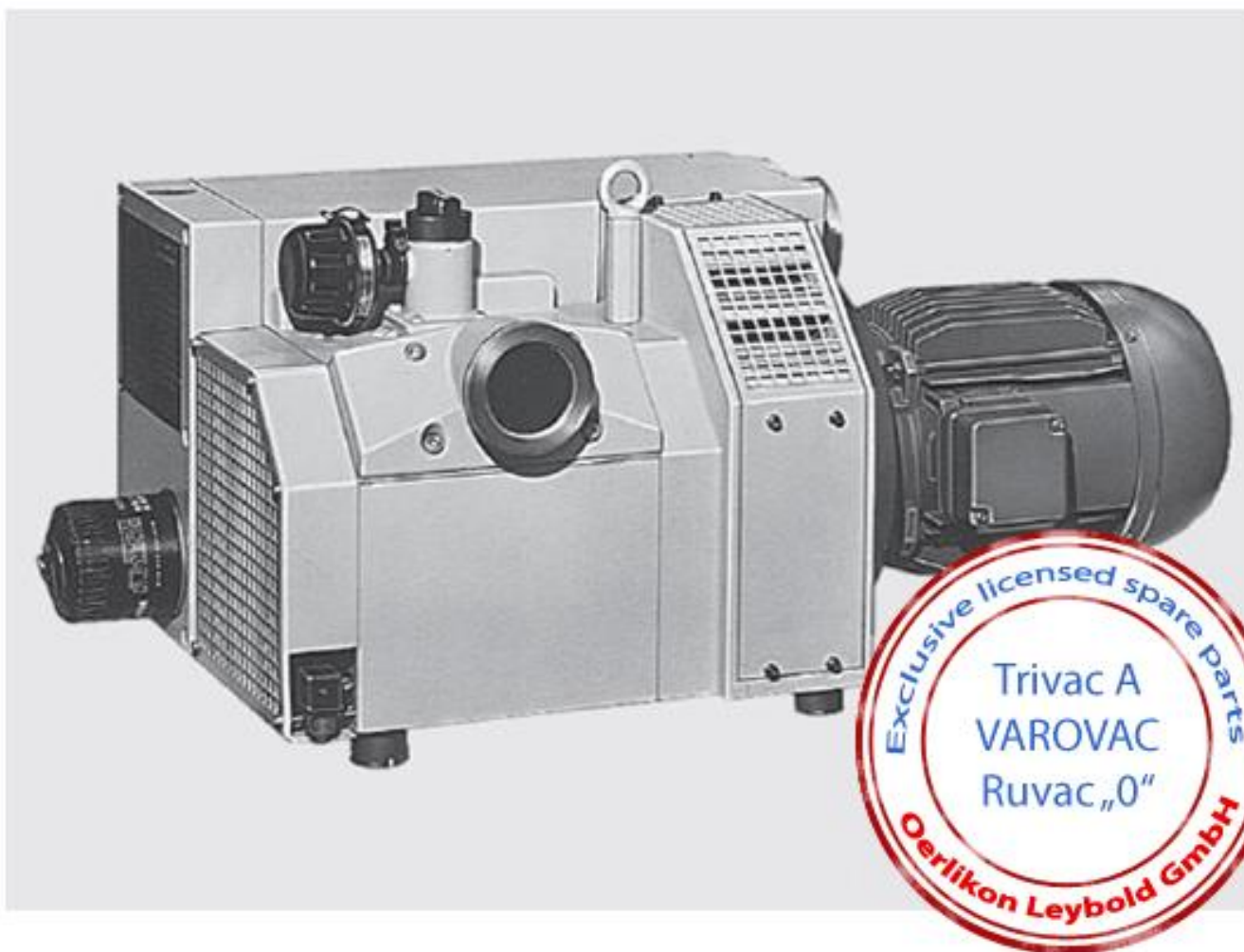


# Varovac S160

## Spare parts for



# Leybold Varovac S160

**Example image - appearance can vary**  
**Beispielbild - Aussehen kann variieren**

[www.druschke.eu](http://www.druschke.eu)



# Spare parts

| Item | Description                | Qty. | Unit | Order number | Package 1 | Package 2 | Package 3 | Note |
|------|----------------------------|------|------|--------------|-----------|-----------|-----------|------|
|      | Vacuum pump oil N62/1      | 6,5  | Ltr. | N62/1        |           |           |           |      |
| 1.1  | Drain plug                 | 1    | Stk  | 20127105     |           |           |           |      |
| 1.2  | Flat gasket                | 1    | Stk  | 23955165     | ✓         | ✓         | ✓         |      |
| 1.3  | Seal                       | 1    | Stk  | 20012197     | ✓         | ✓         | ✓         |      |
| 1.4  | O-ring                     | 1    | Stk  | 23970261     | ✓         |           | ✓         |      |
| 1.5  | Sight glass                | 1    | Stk  | 22680141     |           |           | ✓         |      |
| 1.6  | Retainer ring              | 1    | Stk  | 23104138     |           |           |           |      |
| 1.7  | Shutter                    | 1    | Stk  | 45351131     |           |           |           |      |
| 1.8  | Tie rod                    | 1    | Stk  | 46184211     |           |           |           |      |
| 1.9  | Bridge                     | 1    | Stk  | 45102140     |           |           |           |      |
| 1.10 | Disk                       | 1    | Stk  | 22101207     |           |           |           |      |
| 1.11 | Hexagonal bolts            | 1    | Stk  | 20137218     |           |           |           |      |
| 1.12 | Cylinder screw             | 6    | Stk  | 20103038     |           |           |           |      |
| 1.13 | Washer                     | 6    | Stk  | 22103113     |           |           |           |      |
| 1.14 | Oil casing                 | 1    | Stk  | 33372133     |           |           |           |      |
| 1.15 | Float                      | 1    | Stk  | E35020710    |           |           |           |      |
| 1.16 | Plug seal                  | 1    | Stk  | 23973146     | ✓         |           | ✓         |      |
| 1.17 | O-ring                     | 1    | Stk  | 23970211     | ✓         |           | ✓         |      |
| 1.18 | Flange                     | 1    | Stk  | E36375124    |           |           |           |      |
| 1.19 | Cylinder screw             | 4    | Stk  | 20103101     |           |           |           |      |
| 1.20 | Oil return pipe            | 1    | Stk  | 43131347     |           |           |           |      |
| 1.21 | Gasketring                 | 4    | Stk  | 22401207     | ✓         |           | ✓         |      |
| 1.22 | Hollow screw               | 2    | Stk  | 57105104     |           |           |           |      |
| 1.23 | Clamp                      | 4    | Stk  | 20198163     |           |           |           |      |
| 1.25 | Centering ring DN 63 CR/Al | 1    | Stk  | 26805        |           |           |           |      |
| 1.26 | O-ring                     | 1    | Stk  | 23970509     | ✓         |           | ✓         |      |
| 1.27 | Cylinder screw             | 4    | Stk  | 20103121     |           |           |           |      |
| 1.28 | Exhaust tube               | 1    | Stk  | 36375120     |           |           |           |      |
| 1.29 | Seal                       | 1    | Stk  | 20012196     | ✓         |           | ✓         |      |
| 1.30 | Spring                     | 2    | Stk  | 22161238     |           |           |           |      |
| 1.31 | Filter                     | 2    | Stk  | 39026144     |           | ✓         | ✓         |      |
| 1.32 | Plug screw                 | 1    | Stk  | 20127115     |           |           |           |      |
| 1.33 | Gasket ring                | 1    | Stk  | 70120220     | ✓         |           | ✓         |      |
| 1.34 | Drain plug                 | 1    | Stk  | 20127105     |           |           |           |      |
| 1.35 | Flat gasket                | 1    | Stk  | 23955165     | ✓         | ✓         | ✓         |      |
| 1.36 | Cover                      | 1    | Stk  | 35350156     |           |           |           |      |
| 1.37 | Groove gasket              | 1    | Stk  | 23973003     | ✓         |           | ✓         |      |
| 1.38 | Washer                     | 1    | Stk  | 22103113     |           |           |           |      |
| 1.39 | Double-threaded nipple     | 1    | Stk  | 43179107     |           |           |           |      |
| 1.40 | Oil filter                 | 1    | Stk  | 71212718     |           | ✓         | ✓         |      |
| 1.41 | Cylinder screw             | 6    | Stk  | 20103269     |           |           |           |      |
| 1.42 | Oil guard                  | 1    | Stk  | 45174515     |           |           |           |      |
| 1.43 | Smoothing lattice          | 1    | Stk  | 45174514     |           |           |           |      |
| 2.1  | Cylinder screw             | 2    | Stk  | 20103215     |           |           |           |      |

We reserve the right of alteration of technical data. Illustrations are not binding.

# Spare parts

| Item | Description           | Qty. | Unit | Order number | Package 1 | Package 2 | Package 3 | Note        |
|------|-----------------------|------|------|--------------|-----------|-----------|-----------|-------------|
| 2.2  | Holder                | 1    | Stk  | 45351141     |           |           |           |             |
| 2.2  | Holder                | 1    | Stk  | 45351141-1   |           |           |           | New variant |
| 2.3  | Binding Screw         | 1    | Stk  | 57805103     |           |           |           |             |
| 2.4  | Tubing                | 1    | Stk  | 12901136     |           |           |           |             |
| 2.5  | Magnet valve complete | 1    | Stk  | 35020025-1   |           |           |           | 24V         |
| 2.5  | Magnet valve complete | 1    | Stk  | 35020025-2   |           |           |           | 230V        |
| 2.6  | Sealing ring          | 1    | Stk  | 23955158     | ✓         |           | ✓         |             |
| 2.7  | Screw coupling        | 1    | Stk  | 20171111     |           |           |           |             |
| 2.8  | Air inlet pipe        | 1    | Stk  | 43131369     |           |           |           |             |
| 2.9  | Screw connection      | 3    | Stk  | 35170001     |           |           |           |             |
| 2.10 | Rubber foot           | 4    | Stk  | 46924112     |           |           |           |             |
| 2.11 | Oil suction pipe      | 1    | Stk  | 43131335     |           |           |           |             |
| 2.12 | Oil suction pipe      | 3    | Stk  | 43131323     |           |           |           |             |
| 2.13 | O-Ring                | 3    | Stk  | 23970116     | ✓         |           | ✓         |             |
| 2.14 | Valve compl.          | 1    | Stk  | 20011247     |           |           | ✓         |             |
| 2.15 | Valve plate           | 7    | Stk  | E20011245    |           |           |           |             |
| 2.16 | Valve catcher         | 6    | Stk  | 20011244     |           |           |           |             |
| 2.17 | Cylinder screw        | 4    | Stk  | 20103101     |           |           |           |             |
| 2.18 | Housing               | 1    | Stk  | 33154159     |           |           |           |             |
| 2.19 | Nozzle                | 1    | Stk  | 39350008     |           |           |           |             |
| 2.20 | Cylinder screw        | 2    | Stk  | 20103203     |           |           |           |             |
| 2.21 | Valve catcher         | 1    | Stk  | 37358110     |           |           |           |             |
| 2.22 | Valve plate           | 1    | Stk  | 40138113     |           |           | ✓         |             |
| 2.23 | Seal                  | 1    | Stk  | 20012206     | ✓         |           | ✓         |             |
| 2.24 | Housing               | 1    | Stk  | 33152124     |           |           |           |             |
| 2.25 | Cylinderscrew         | 4    | Stk  | 20103217     |           |           |           |             |
| 2.26 | O-Ring                | 1    | Stk  | 23970900     | ✓         |           | ✓         |             |
| 2.27 | Plunger compl.        | 1    | Stk  | 41013119     |           |           |           |             |
| 2.28 | Spring                | 1    | Stk  | 22161244     |           |           |           |             |
| 2.29 | Cam disk              | 1    | Stk  | 22876112     |           |           |           |             |
| 2.30 | Knob GB               | 1    | Stk  | 28850106     |           |           |           |             |
| 2.31 | Silencer              | 1    | Stk  | 39026150     |           |           |           |             |
| 2.32 | Piston                | 2    | Stk  | 32106146     |           |           |           |             |
| 2.33 | Felt disk             | 2    | Stk  | 20011070     |           |           | ✓         |             |
| 2.34 | Valve plat            | 2    | Stk  | 40050140     |           |           | ✓         |             |
| 2.35 | Seal                  | 1    | Stk  | 20012198     | ✓         |           | ✓         |             |
| 2.36 | Cylinder screw        | 4    | Stk  | 20103120     |           |           |           |             |
| 2.37 | Inlet connection      | 1    | Stk  | 36375122     |           |           |           |             |
| 2.38 | Dirt trap             | 1    | Stk  | E41070116    |           |           |           |             |
| 2.39 | O-ring                | 1    | Stk  | 23970510     | ✓         |           | ✓         |             |
| 2.40 | Outer supporting ring | 1    | Stk  | 23393322     |           |           |           |             |
| 2.41 | Clamp                 | 2    | Stk  | 20198163     |           |           |           |             |
| 2.42 | Tapered pin           | 2    | Stk  | 20011449     |           |           |           |             |
| 2.43 | Key                   | 1    | Stk  | 22116205     |           |           |           |             |
| 2.44 | Rotor                 | 1    | Stk  | 32166136     |           |           |           |             |

We reserve the right of alteration of technical data. Illustrations are not binding.

# Spare parts

| Item | Description       | Qty. | Unit | Order number | Package 1 | Package 2 | Package 3 | Note |
|------|-------------------|------|------|--------------|-----------|-----------|-----------|------|
| 2.45 | Vane              | 2    | Stk  | 45174061     |           |           | ✓         |      |
| 2.46 | Shaft sleeve      | 1    | Stk  | 23192221     |           |           | ✓         |      |
| 2.47 | O-ring            | 1    | Stk  | 23970416     | ✓         |           | ✓         |      |
| 2.48 | Retainer ring     | 1    | Stk  | 23103140     |           |           |           |      |
| 2.49 | Circlip           | 1    | Stk  | 23104140     |           |           |           |      |
| 2.50 | Spacer ring       | 1    | Stk  | 22378142     |           |           |           |      |
| 2.51 | Radial shaft seal | 1    | Stk  | 23953230     | ✓         |           | ✓         |      |
| 2.52 | Spacer ring       | 1    | Stk  | 22111123     |           |           |           |      |
| 2.53 | Spacer ring       | 1    | Stk  | 22378142     |           |           |           |      |
| 2.54 | Felt-ring         | 1    | Stk  | 23721127     | ✓         |           | ✓         |      |
| 2.55 | Spacer ring       | 1    | Stk  | 22378142     |           |           |           |      |
| 2.56 | Front end plate   | 1    | Stk  | 36146267     |           |           |           |      |
| 2.57 | Cylinder screw    | 6    | Stk  | 20103102     |           |           |           |      |
| 2.58 | Cover             | 1    | Stk  | 34101127     |           |           |           |      |
| 2.59 | Cylinder screw    | 5    | Stk  | 20103229     |           |           |           |      |
| 2.60 | Cylinder screw    | 3    | Stk  | 20103253     |           |           |           |      |
| 2.61 | Rear end plate    | 1    | Stk  | 35350154     |           |           |           |      |
| 2.62 | Oil duct          | 1    | Stk  | 43131016     |           |           |           |      |
| 2.63 | Screw connection  | 1    | Stk  | 35170001     |           |           |           |      |
| 2.64 | Tubing            | 1    | Stk  | 12820140     |           |           |           |      |
| 2.65 | Cylinder pin      | 2    | Stk  | 20013200     |           |           |           |      |
| 2.66 | O-Ring            | 1    | Stk  | 23970263     | ✓         |           | ✓         |      |
| 2.67 | Spacer ring       | 1    | Stk  | 22111123     |           |           |           |      |
| 2.68 | Roller bearing    | 1    | Stk  | 20012184     |           |           | ✓         |      |
| 2.69 | Circlip           | 1    | Stk  | 23104140     |           |           |           |      |
| 3.1  | Spacer ring       | 1    | Stk  | 22378142     |           |           |           |      |
| 3.2  | Radial shaft seal | 1    | Stk  | 23953230     | ✓         |           | ✓         |      |
| 3.3  | Spacer ring       | 1    | Stk  | 22111123     |           |           |           |      |
| 3.4  | Spacer ring       | 1    | Stk  | 22378142     |           |           |           |      |
| 3.5  | Felt-ring         | 1    | Stk  | 23721127     | ✓         |           | ✓         |      |
| 3.6  | Spacer ring       | 1    | Stk  | 22378142     |           |           |           |      |
| 3.7  | Circlip           | 1    | Stk  | 23104140     |           |           |           |      |
| 3.8  | Felt strip        | 1    | Stk  | 23721125     | ✓         |           | ✓         |      |
| 3.9  | End plate         | 1    | Stk  | 35350160     |           |           |           |      |
| 3.10 | Air duct          | 1    | Stk  | 23192006     |           |           |           |      |
| 3.11 | Coupling compl.   | 1    | Stk  | 57042152     |           |           |           |      |
| 3.12 | Rubber foot       | 4    | Stk  | 46924112     |           |           |           |      |
| 3.13 | Fan-housing       | 1    | Stk  | 33154161     |           |           |           |      |
| 3.14 | Cylinder screw    | 5    | Stk  | 20103126     |           |           |           |      |
| 3.15 | Motor cover       | 1    | Stk  | 36146268     |           |           |           |      |
| 3.16 | Cylinder screw    | 4    | Stk  | 20103121     |           |           |           |      |
| 3.17 | Motor             | 1    | Stk  | 38066336     |           |           |           |      |
| 3.18 | Blower Motor      | 1    | Stk  | 70100339     |           |           |           |      |
| 3.19 | Top blower        | 1    | Stk  | 70100338     |           |           |           |      |
| 3.20 | Hexagonal bolts   | 4    | Stk  | 20103030     |           |           |           |      |

We reserve the right of alteration of technical data. Illustrations are not binding.

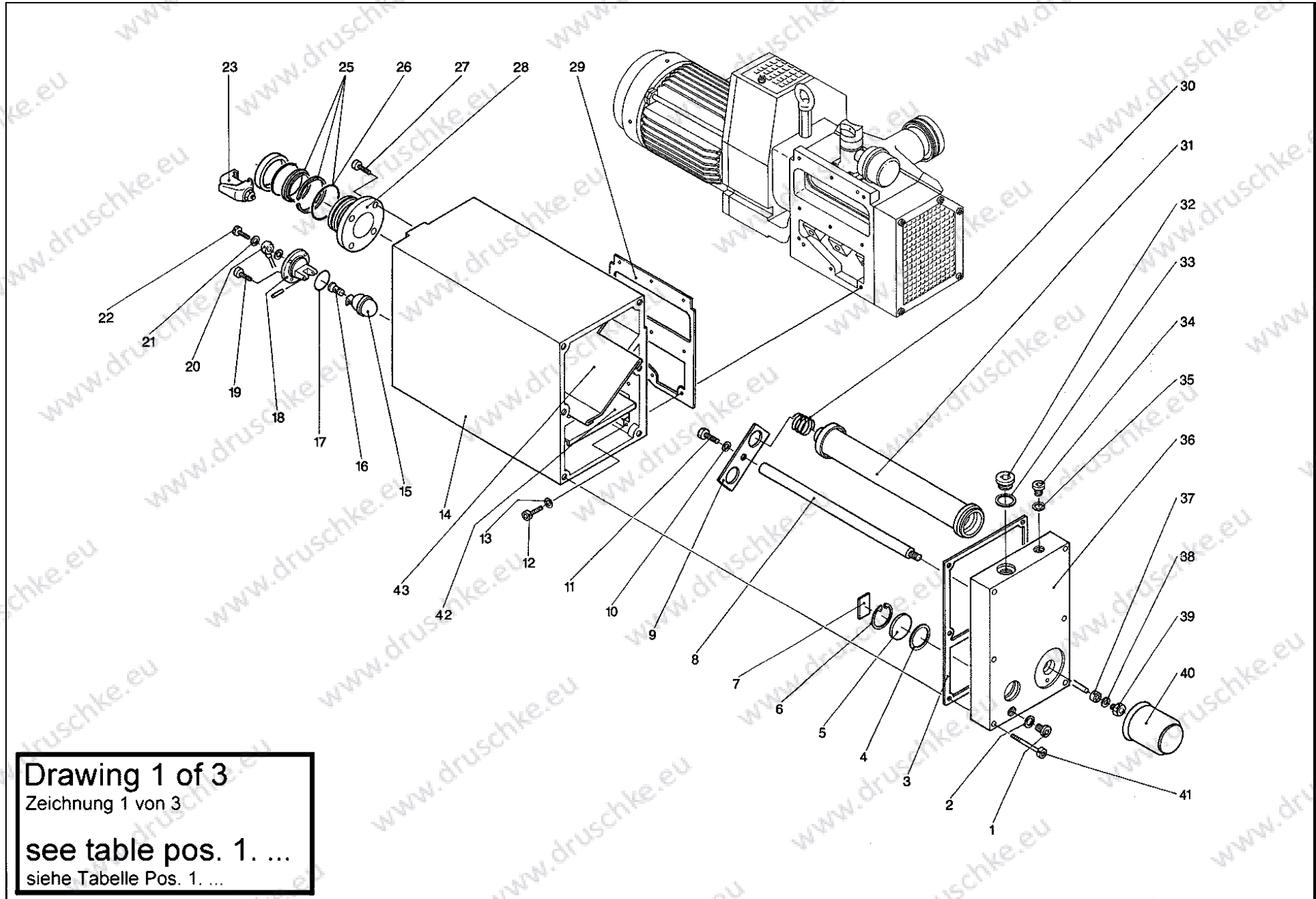
# Spare parts

| Item | Description     | Qty. | Unit | Order number | Package 1 | Package 2 | Package 3 | Note        |
|------|-----------------|------|------|--------------|-----------|-----------|-----------|-------------|
| 3.21 | Washer          | 4    | Stk  | 22101109     |           |           |           |             |
| 3.23 | Cylindrical pin | 2    | Stk  | 24103287     |           |           |           |             |
| 3.24 | Bolt            | 2    | Stk  | 40157245     |           |           |           |             |
| 3.25 | Plate cover     | 1    | Stk  | 45174513     |           |           |           |             |
| 3.26 | Washer          | 1    | Stk  | 22101202     |           |           |           |             |
| 3.27 | Cylinder screw  | 1    | Stk  | 20103216     |           |           |           |             |
| 3.28 | Washer          | 1    | Stk  | 22101202     |           |           |           |             |
| 3.29 | Cylinder screw  | 1    | Stk  | 20103216     |           |           |           |             |
| 3.30 | Spacer          | 1    | Stk  | 40157250     |           |           |           |             |
| 3.31 | Cylinder screw  | 6    | Stk  | 20103216     |           |           |           |             |
| 3.32 | Fan-type washer | 6    | Stk  | 22109109     |           |           |           |             |
| 3.33 | Blower          | 1    | Stk  | 25165203     |           |           |           |             |
| 3.33 | Blower          | 1    | Stk  | 25165208     |           |           |           | USA Version |
| 3.34 | Toothed ring    | 1    | Stk  | E20009095    | ✓         |           | ✓         |             |
| 3.35 | Cylinder screw  | 3    | Stk  | 20103253     |           |           |           |             |
| 3.36 | Spacer ring     | 1    | Stk  | 22111123     |           |           |           |             |
| 3.38 | Roller bearing  | 1    | Stk  | 20012184     |           |           | ✓         |             |
| 3.39 | Circlip         | 1    | Stk  | 23104140     |           |           |           |             |
| 3.40 | Retainer ring   | 1    | Stk  | 23103140     |           |           |           |             |
| 3.41 | O-ring          | 1    | Stk  | 23970416     | ✓         |           | ✓         |             |
| 3.42 | Shaft sleeve    | 1    | Stk  | 23192221     |           |           | ✓         |             |
| 3.43 | Front end plate | 1    | Stk  | 36146266     |           |           |           |             |
| 3.44 | O-Ring          | 1    | Stk  | 23970263     | ✓         |           | ✓         |             |
|      |                 |      |      |              |           |           |           |             |
|      |                 |      |      |              |           |           |           |             |
|      |                 |      |      |              |           |           |           |             |
|      |                 |      |      |              |           |           |           |             |
|      |                 |      |      |              |           |           |           |             |
|      |                 |      |      |              |           |           |           |             |
|      |                 |      |      |              |           |           |           |             |
|      |                 |      |      |              |           |           |           |             |
|      |                 |      |      |              |           |           |           |             |
|      |                 |      |      |              |           |           |           |             |
|      |                 |      |      |              |           |           |           |             |
|      |                 |      |      |              |           |           |           |             |
|      |                 |      |      |              |           |           |           |             |
|      |                 |      |      |              |           |           |           |             |
|      |                 |      |      |              |           |           |           |             |
|      |                 |      |      |              |           |           |           |             |
|      |                 |      |      |              |           |           |           |             |
|      |                 |      |      |              |           |           |           |             |
|      |                 |      |      |              |           |           |           |             |
|      |                 |      |      |              |           |           |           |             |
|      |                 |      |      |              |           |           |           |             |
|      |                 |      |      |              |           |           |           |             |
|      |                 |      |      |              |           |           |           |             |
|      |                 |      |      |              |           |           |           |             |
|      |                 |      |      |              |           |           |           |             |
|      |                 |      |      |              |           |           |           |             |

We reserve the right of alteration of technical data. Illustrations are not binding.

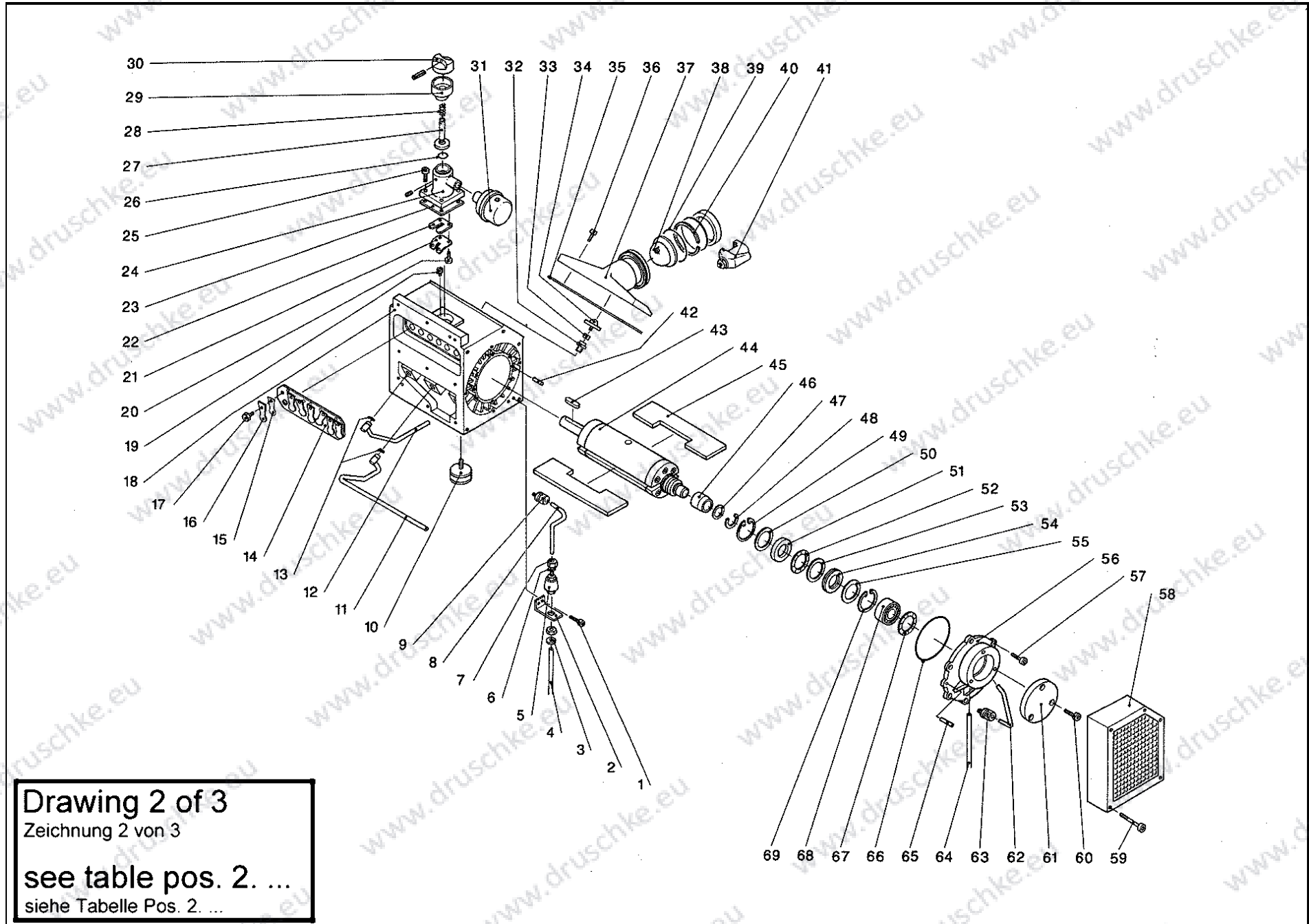


# Spare parts



**Drawing 1 of 3**  
Zeichnung 1 von 3  
**see table pos. 1. ...**  
siehe Tabelle Pos. 1. ...

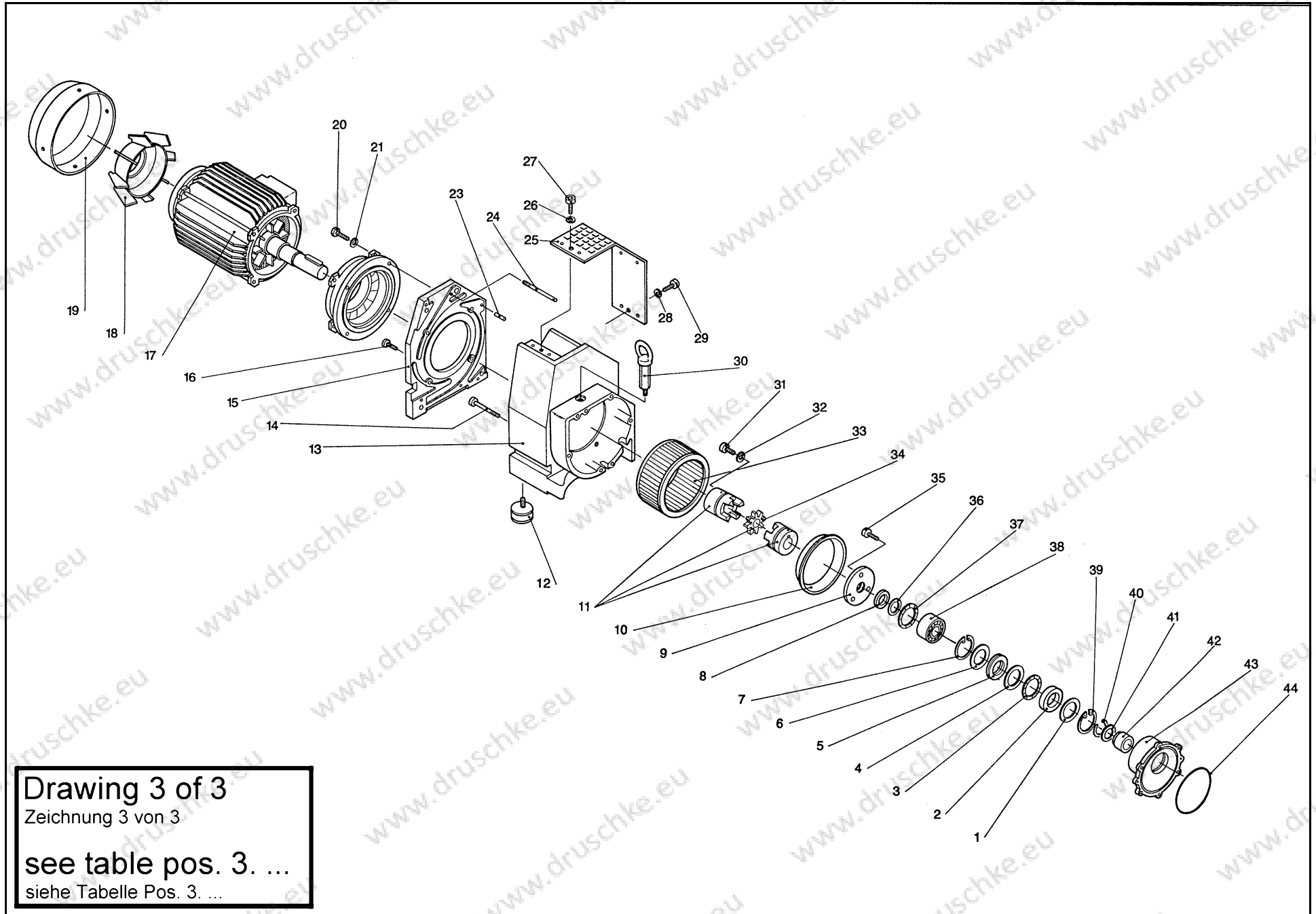
# Spare parts



**Drawing 2 of 3**  
Zeichnung 2 von 3  
**see table pos. 2. ...**  
siehe Tabelle Pos. 2. ...



# Spare parts



**Drawing 3 of 3**

Zeichnung 3 von 3

**see table pos. 3. ...**

siehe Tabelle Pos. 3. ...