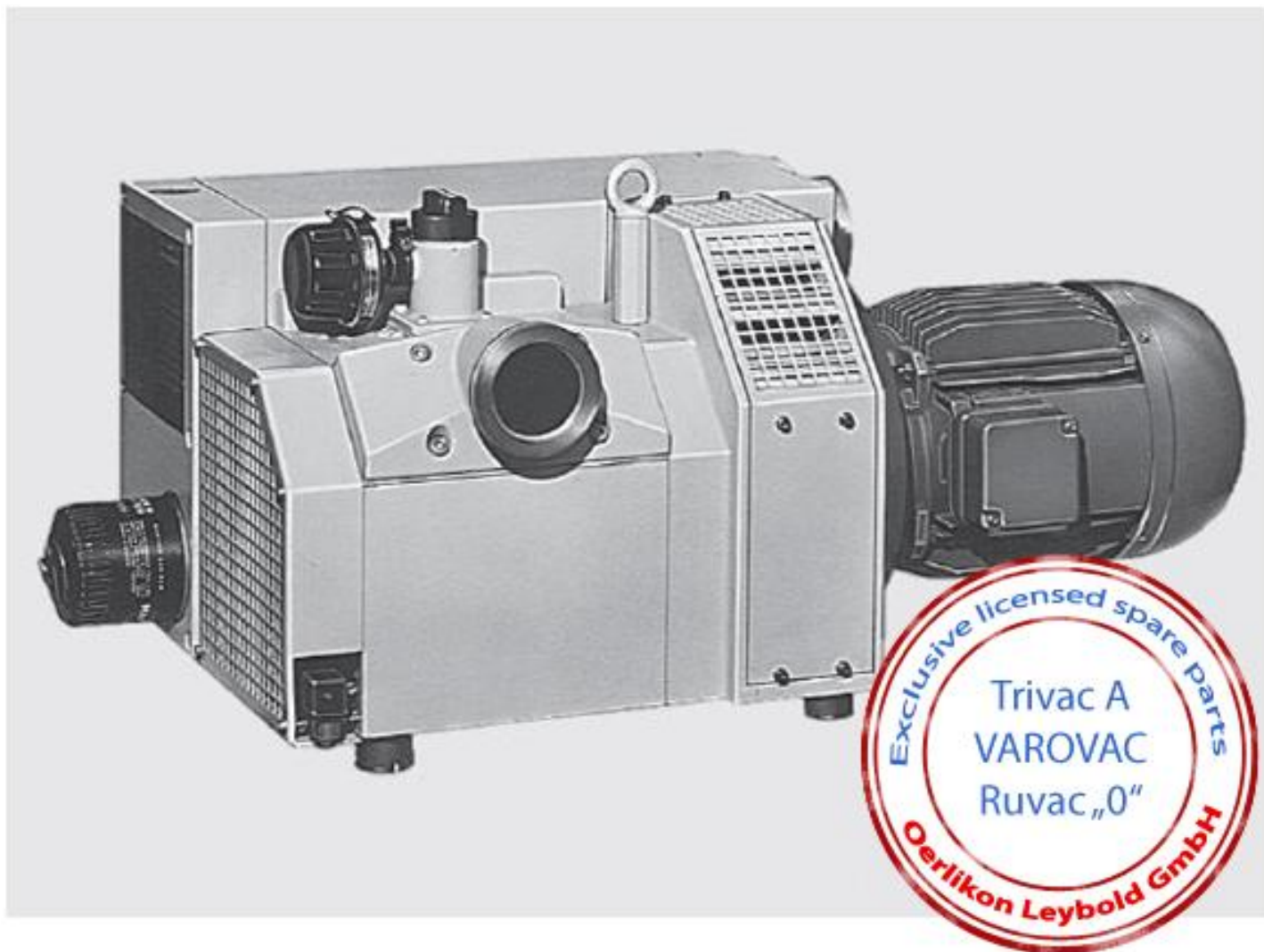


Varovac S250

DRUSCHKE
VACUUMSERVICE

Spare parts for



Leybold Varovac S250

Example image - appearance can vary
Beispielbild - Aussehen kann variieren

www.druschke.eu

 **VACUUMSERVICE**

 **MAINTENANCE TRAINING CENTRE**

 **MANUFACTURING OF SEALING COMPONENTS**

Spare parts

Item	Description	Qty.	Unit	Order number	Package 1	Package 2	Package 3	Note
	Vacuum pump oil N62/1	12	Ltr.	N62/1				
1.1	Drain plug	1	Stk	20127105				
1.2	Flat gasket	1	Stk	23955165	✓	✓	✓	
1.3	Seal	1	Stk	20012200	✓	✓	✓	
1.4	O-ring	1	Stk	23970261	✓		✓	
1.5	Sight glass	1	Stk	22680141			✓	
1.6	Retainer ring	1	Stk	23104138				
1.7	Shutter	1	Stk	45351131				
1.8	Tie rod	1	Stk	46184211				
1.9	Bridge	1	Stk	45102140				
1.10	Disk	1	Stk	22101207				
1.11	Hexagonal bolts	1	Stk	20137218				
1.12	Cylinder screw	6	Stk	20011930				
1.13	Washer	6	Stk	22103113				
1.14	Oil casing	1	Stk	33372132				
1.15	Float	1	Stk	E35020710				
1.16	Plug seal	1	Stk	23973146	✓		✓	
1.17	O-ring	1	Stk	23970211	✓		✓	
1.18	Flange	1	Stk	E36375124				
1.19	Cylinder screw	4	Stk	20103101				
1.20	Oil return pipe	1	Stk	43131320				
1.21	Gasketring	4	Stk	22401207	✓		✓	
1.22	Hollow screw	2	Stk	57105104				
1.23	Clamp	4	Stk	20198163				
1.25	Centering ring DN 63 CR/Al	1	Stk	26805				
1.26	O-ring	1	Stk	23970509	✓		✓	
1.27	Cylinder screw	4	Stk	20103121				
1.28	Exhaust tube	1	Stk	36375120				
1.29	Seal	1	Stk	20012199	✓		✓	
1.30	Spring	2	Stk	22161238				
1.31	Filter	2	Stk	39026144		✓	✓	
1.32	Plug screw	1	Stk	20127115				
1.33	Gasket ring	1	Stk	70120220	✓		✓	
1.34	Drain plug	1	Stk	20127105				
1.35	Flat gasket	1	Stk	23955165	✓	✓	✓	
1.36	Cover	1	Stk	35350152				
1.37	Groove gasket	1	Stk	23973003	✓		✓	
1.38	Washer	1	Stk	22103113				
1.39	Double-threaded nipple	1	Stk	43179107				
1.40	Oil filter	1	Stk	71212718		✓	✓	
1.41	Cylinder screw	6	Stk	20103129				
1.42	Oil guard	1	Stk	45174503				
1.43	Smoothing lattice	1	Stk	45174504				
2.1	Cylinder screw	2	Stk	20103215				

We reserve the right of alteration of technical data. Illustrations are not binding.

Spare parts

Item	Description	Qty.	Unit	Order number	Package 1	Package 2	Package 3	Note
2.2	Holder	1	Stk	45351141				
2.2	Holder	1	Stk	45351141-1				New variant
2.3	Binding Screw	1	Stk	57805103				
2.4	Tubing	1	Stk	12901136				
2.5	Magnet valve complete	1	Stk	35020025-1				24V
2.5	Magnet valve complete	1	Stk	35020025-2				230V
2.6	Sealing ring	1	Stk	23955158	✓		✓	
2.7	Screw coupling	1	Stk	20171111				
2.8	Air inlet pipe	1	Stk	43131017				
2.9	Screw connection	3	Stk	35170001				
2.10	Rubber foot	4	Stk	46924112				
2.11	Oil suction pipe	1	Stk	43131321				
2.12	Oil suction pipe	3	Stk	43131316				
2.13	O-Ring	3	Stk	23970116	✓		✓	
2.14	Valve compl.	1	Stk	20011936			✓	
2.15	Valve plate	12	Stk	E20011245				
2.16	Valve catcher	12	Stk	20011244				
2.17	Cylinder screw	4	Stk	20103119				
2.18	Housing	1	Stk	33154157				
2.19	Nozzle	1	Stk	39225125				
2.20	Cylinder screw	2	Stk	20103203				
2.21	Valve catcher	1	Stk	37358110				
2.22	Valve plate	1	Stk	40138113			✓	
2.23	Seal	1	Stk	20012206	✓		✓	
2.24	Housing	1	Stk	33152123				
2.25	Cylinderscrew	4	Stk	20103217				
2.26	O-Ring	1	Stk	23970900	✓		✓	
2.27	Plunger compl.	1	Stk	41013119				
2.28	Spring	1	Stk	22161244				
2.29	Cam disk	1	Stk	22876112				
2.30	Knob GB	1	Stk	28850106				
2.31	Silencer	1	Stk	39026150				
2.32	Piston	3	Stk	32106146				
2.33	Felt disk	3	Stk	20011070			✓	
2.34	Valve plat	3	Stk	40050140			✓	
2.35	Seal	1	Stk	20012201	✓		✓	
2.36	Cylinder screw	6	Stk	20103120				
2.37	Inlet connection	1	Stk	36375119				
2.38	Dirt trap	1	Stk	E41070116				
2.39	O-ring	1	Stk	23970510	✓		✓	
2.40	Outer supporting ring	1	Stk	23393322				
2.41	Clamp	2	Stk	20198163				
2.42	Tapered pin	2	Stk	20011446				
2.43	Key	1	Stk	22116236				
2.44	Rotor	1	Stk	32166135				

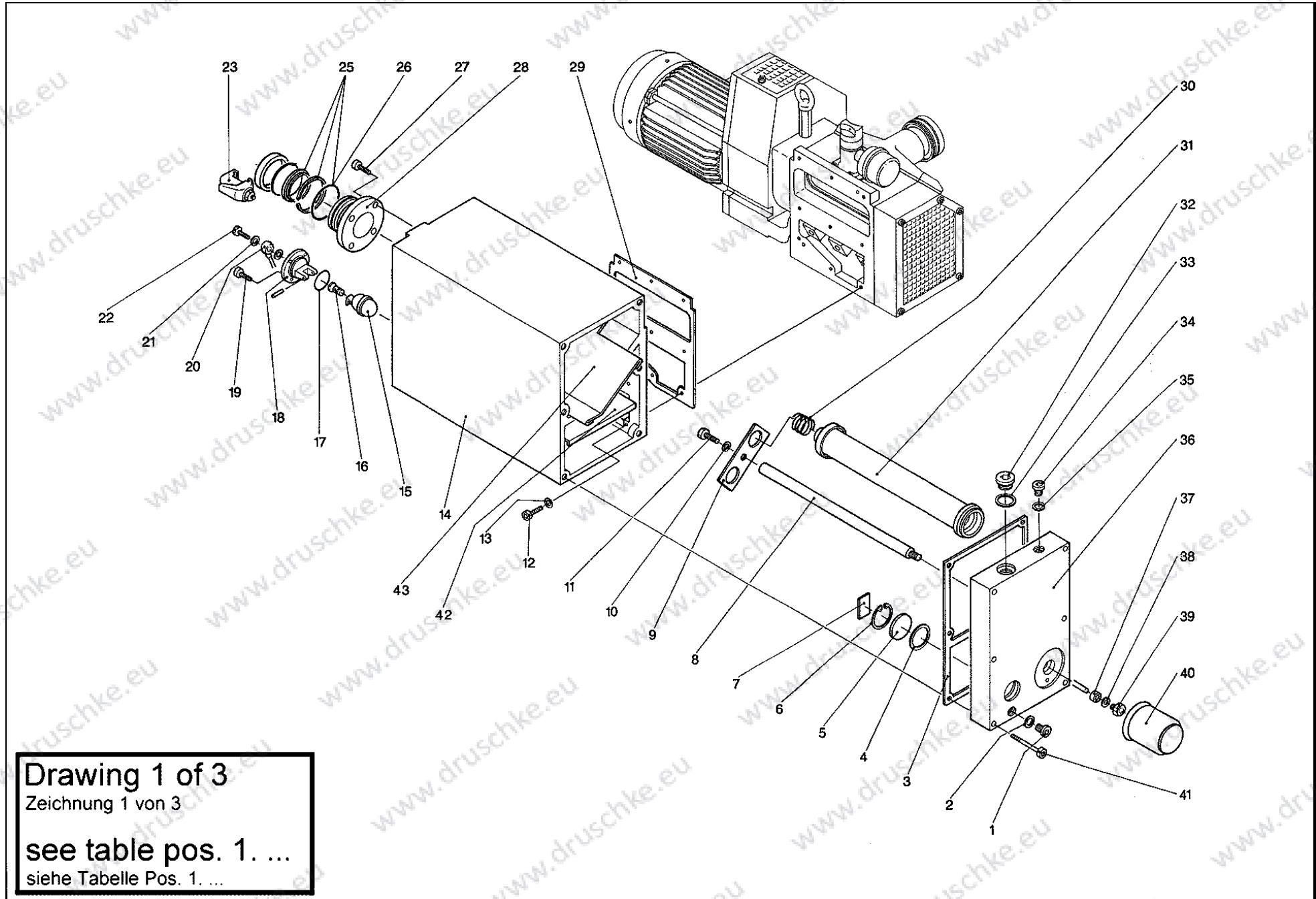
We reserve the right of alteration of technical data. Illustrations are not binding.

Spare parts

Item	Description	Qty.	Unit	Order number	Package 1	Package 2	Package 3	Note
2.45	Vane	2	Stk	45174062			✓	
2.46	Shaft sleeve	1	Stk	23192217			✓	
2.47	O-Ring	1	Stk	E23970434	✓		✓	
2.48	Retainer ring	1	Stk	23103139				
2.49	Circlip	1	Stk	23104145				
2.50	Spacer ring	1	Stk	22378138				
2.51	Radial shaft seal	1	Stk	23953229	✓		✓	
2.52	Spacer ring	1	Stk	22111122				
2.53	Spacer ring	1	Stk	22378138				
2.54	Felt-ring	1	Stk	23721124	✓		✓	
2.55	Spacer ring	1	Stk	22378138				
2.56	Front end plate	1	Stk	36146265				
2.57	Cylinder screw	6	Stk	20103120				
2.58	Cover	1	Stk	34101126				
2.59	Cylinder screw	5	Stk	20103115				
2.60	Cylinder screw	3	Stk	20103253				
2.61	Rear end plate	1	Stk	35350154				
2.62	Oil duct	1	Stk	43131026				
2.63	Screw connection	1	Stk	35170001				
2.64	Tubing	1	Stk	12820140				
2.65	Cylinder pin	2	Stk	20011444				
2.66	O-ring	1	Stk	E23970418	✓		✓	
2.67	Spacer ring	1	Stk	22111122				
2.68	Roller bearing	1	Stk	20012185			✓	
2.69	Circlip	1	Stk	23104145				
3.1	Spacer ring	1	Stk	22378138				
3.2	Radial shaft seal	1	Stk	23953229	✓		✓	
3.3	Spacer ring	1	Stk	22111122				
3.4	Spacer ring	1	Stk	22378138				
3.5	Felt-ring	1	Stk	23721124	✓		✓	
3.6	Spacer ring	2	Stk	22378138				
3.7	Circlip	1	Stk	23104145				
3.8	Felt strip	1	Stk	23721125	✓		✓	
3.9	End plate	1	Stk	35350155				
3.10	Air duct	1	Stk	20011286				
3.11	Coupling compl.	1	Stk	57042153				
3.12	Rubber foot	4	Stk	46924112				
3.13	Fan-housing	1	Stk	33154156				
3.14	SCREW	6	Stk	20103270				
3.15	Motor cover	1	Stk	36146263				
3.16	Cylinder screw	4	Stk	20103121				
3.17	Motor	1	Stk	38066335				
3.18	Blower Motor	1	Stk	70100328				
3.19	Top blower	1	Stk	70100327				
3.20	Hexagonal bolts	4	Stk	20102379				

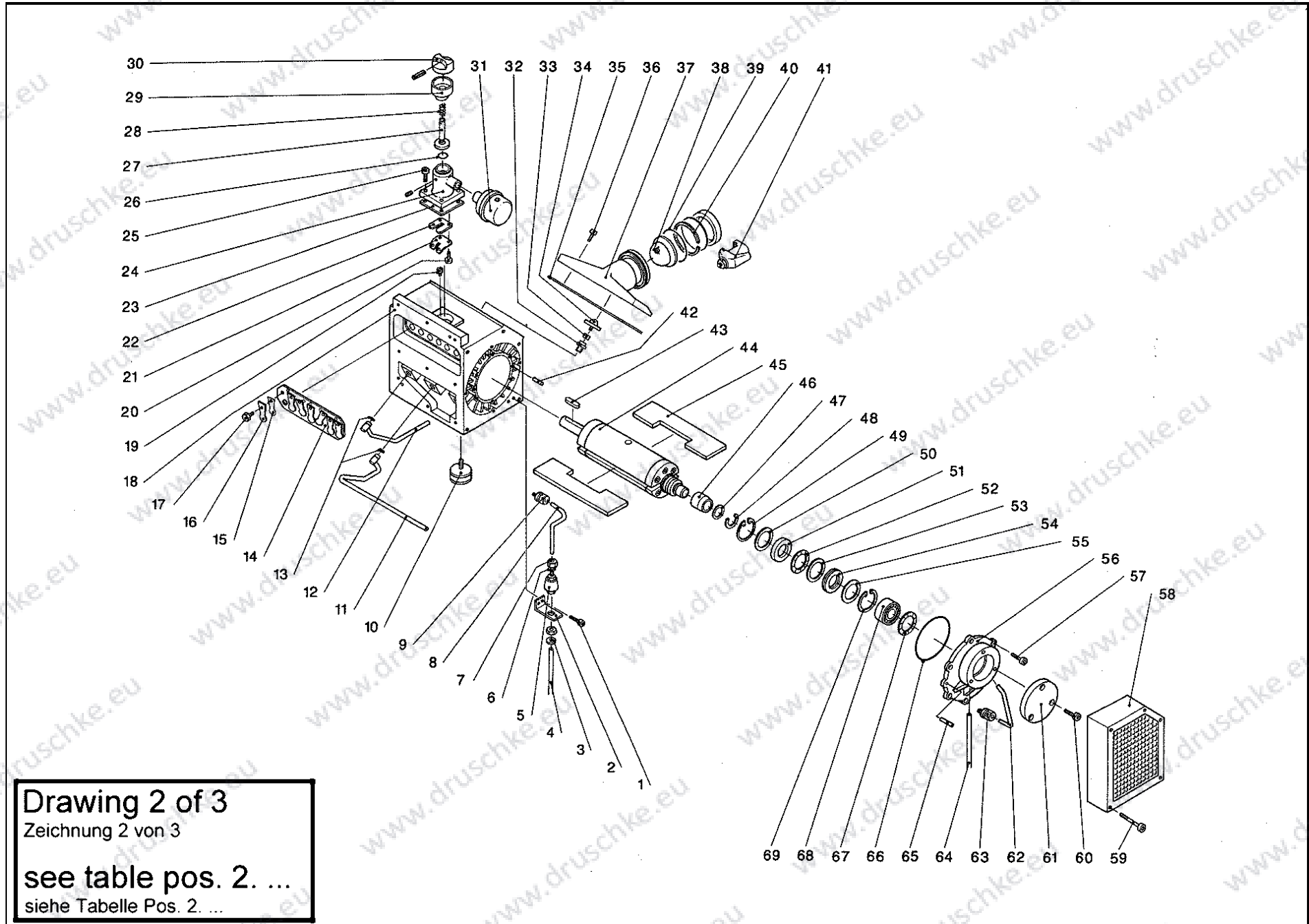
We reserve the right of alteration of technical data. Illustrations are not binding.

Spare parts

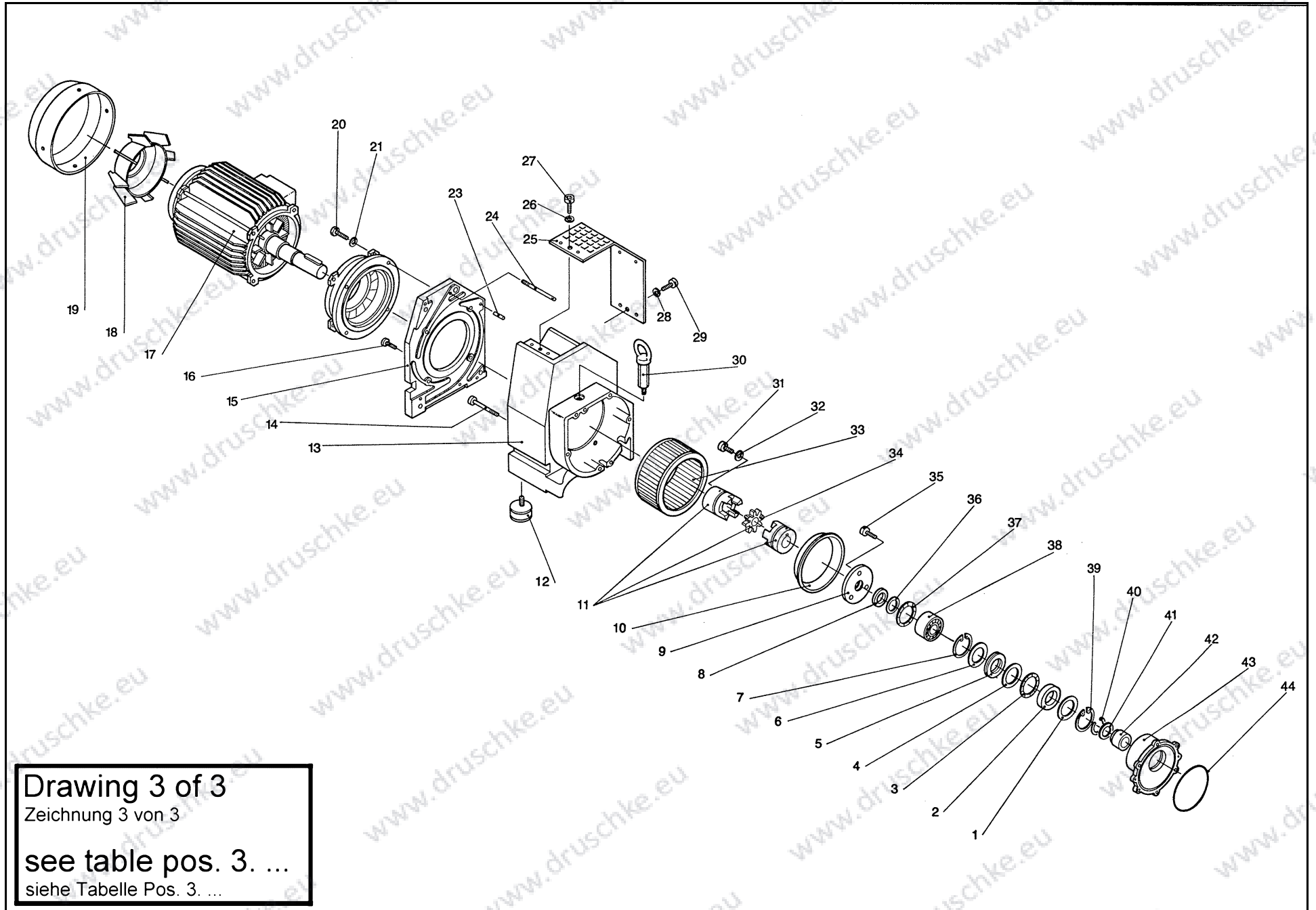


Drawing 1 of 3
Zeichnung 1 von 3
see table pos. 1. ...
siehe Tabelle Pos. 1. ...

Spare parts



Drawing 2 of 3
Zeichnung 2 von 3
see table pos. 2. ...
siehe Tabelle Pos. 2. ...



Drawing 3 of 3
Zeichnung 3 von 3
see table pos. 3. ...
siehe Tabelle Pos. 3. ...